

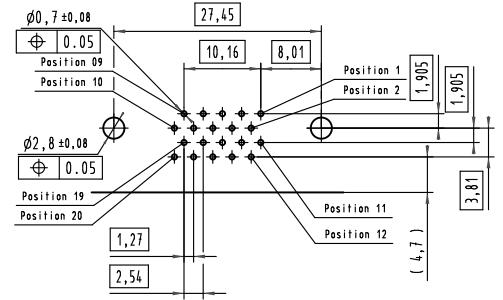
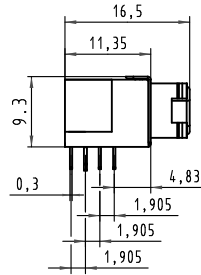
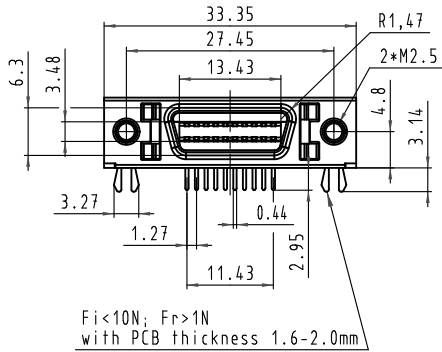
## Excellent Integrated System Limited

Stocking Distributor

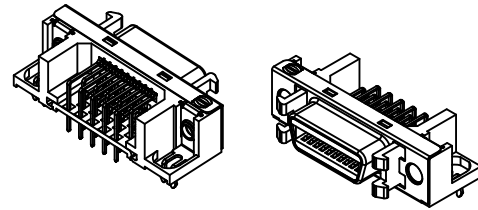
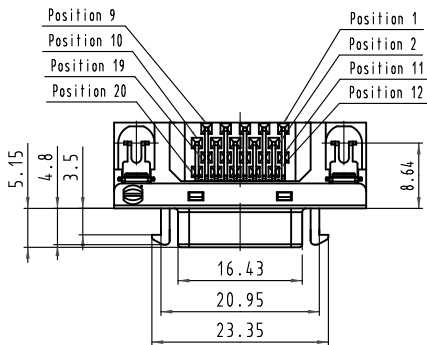
Click to view price, real time Inventory, Delivery & Lifecycle Information:

[Harting](#)  
[60110205740](#)

For any questions, you can email us directly:  
[sales@integrated-circuit.com](mailto:sales@integrated-circuit.com)



PCB layout: component side



According to IEC 61076-3-100

1) see TB 60 11 020 5740 folio 2/2  
for reel packaging.

All Dimensions in mm Original Size DIN A 3			Techn. Character.			Free size tolerances	
Mod.	Dat.	Name	Det.	Name	Scale	har.mik® I/O bellow	
EC01456	13-Apr-10	J.Sheng	Insp.	J.Sheng	2:1	20P Har.mik female SMC with angled solder pins, boardLocks, fixed latches	
31770	29-OCT-09	J.Sheng	Stand.			TB 60 11 020 5740	
Zhuhai Harting Limited						Page 1/2	