

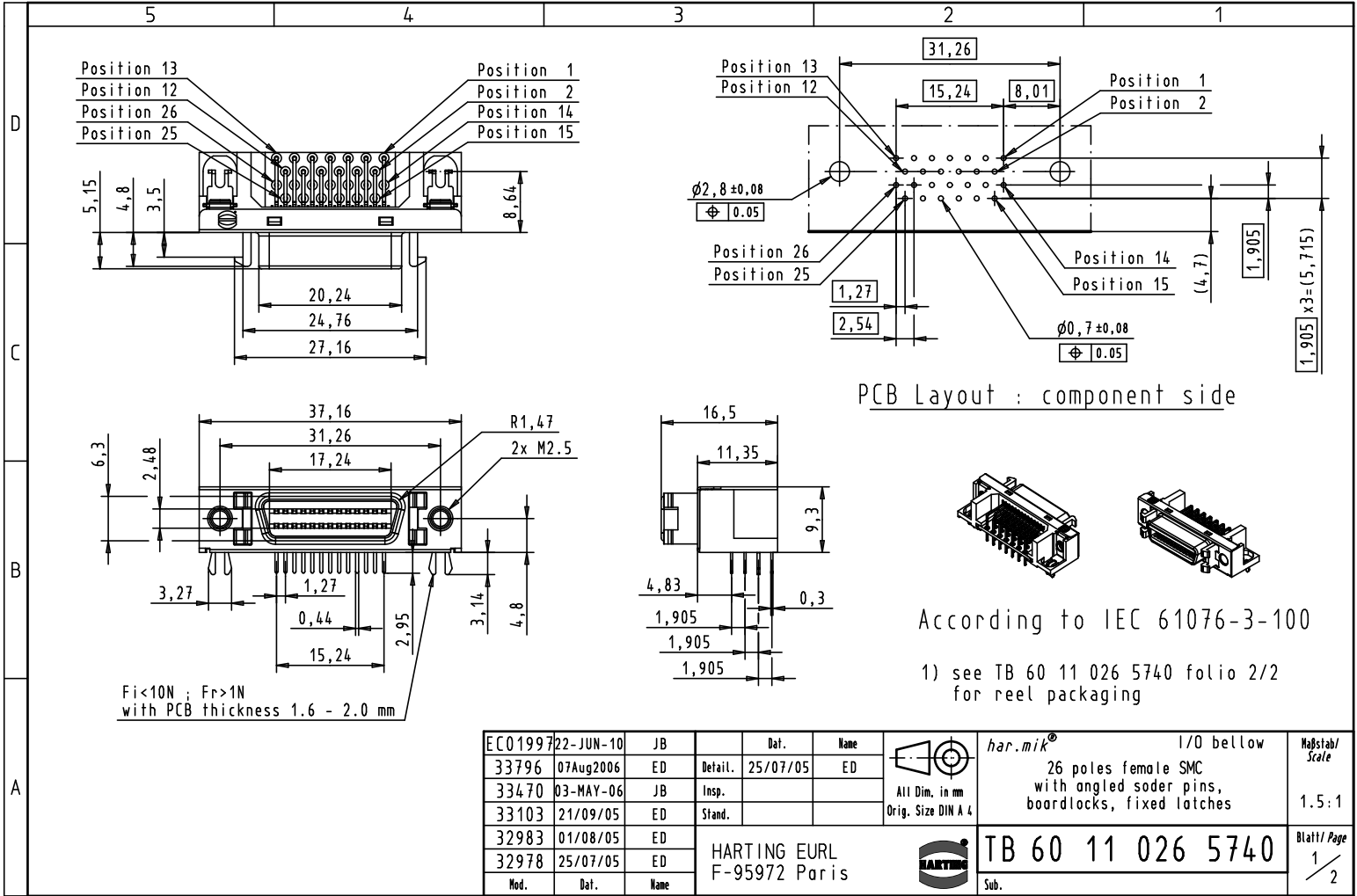
## Excellent Integrated System Limited

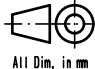

Stocking Distributor

Click to view price, real time Inventory, Delivery & Lifecycle Information:

[Harting](#)  
[60110265740](#)

For any questions, you can email us directly:  
[sales@integrated-circuit.com](mailto:sales@integrated-circuit.com)



ECO1997	22-JUN-10	JB		Dat.	Name	 har.mik® I/O bellow 26 poles female SMC with angled solder pins, boardlocks, fixed latches	Maßstab/ Scale
33796	07Aug2006	ED	Detail.	25/07/05	ED		1.5:1
33470	03-MAY-06	JB	Insp.				
33103	21/09/05	ED	Stand.				
32983	01/08/05	ED	HARTING EURL F-95972 Paris			 <b>TB 60 11 026 5740</b>	Blatt/ Page
32978	25/07/05	ED	Mod.	Dat.	Name		Sub.