

Excellent Integrated System Limited

Stocking Distributor

Click to view price, real time Inventory, Delivery & Lifecycle Information:

[Molex Connector Corporation](#)
[0192860058](#)

For any questions, you can email us directly:

sales@integrated-circuit.com

12 Ton Crimp Head

12 Ton Crimp Head with HHL Die Holders Only		
	Application Tooling Specification Sheet	

FEATURES

- Crimps a wide range of products with interchangeable tool kits, which reduce the overall cost and provide production flexibility.
- Crimping dies are easily and quickly interchanged to reduce production down time.
- Complete portable system that allows tool to be moved and stored easily.

SCOPE

This 12 Ton Crimp Head is used in the Putt Pump Hydraulic Head Crimper (Order No. 19286-0117) and the Elect Powered Hydraulic System for HHL Dies (Order No. 19286-1300). Refer to the appropriate tool instruction manual for installation and operation information.

Products: See Product List in TM-192860117 or TM-192861300 Operation Manuals.

DESCRIPTION

The Molex Putt Pump Hydraulic Head Crimper is designed to crimp 8 to 4/0 AWG insulated and un-insulated terminals and splices.

CAUTION: Molex crimp specifications are valid only when used with Molex terminals and tooling.

Maintenance

It is recommended that each operator of the tool be made aware of, and responsible for, the following maintenance steps:

1. Remove dust, moisture, and other contaminants with a clean brush, or soft, lint free cloth.
2. Do not use any abrasive materials that could damage the tool.
3. Make certain all pins; pivot points and bearing surfaces are protected with a thin coat of high quality machine oil. Do not oil excessively.

When tool is not in use, store in a clean, dry area.

Contact Information

For more information on Molex application tooling please contact Molex at 1-800-786-6539.

12 Ton Crimp Head

Parts List

19286-0058 12 Figure 1				
12 Ton Crimp Head with HHL D Die Holders Only				
Item	Order No.	Engineering No.	Description	Qty
1	19286-0005	19286-0005	Hydraulic Head Assembly	1
2	19286-0006	19286-0006	HHL S Die Holder	2
3	N/A	N/A	#8-32 by 3/8" long Socket Head Set Screw	2

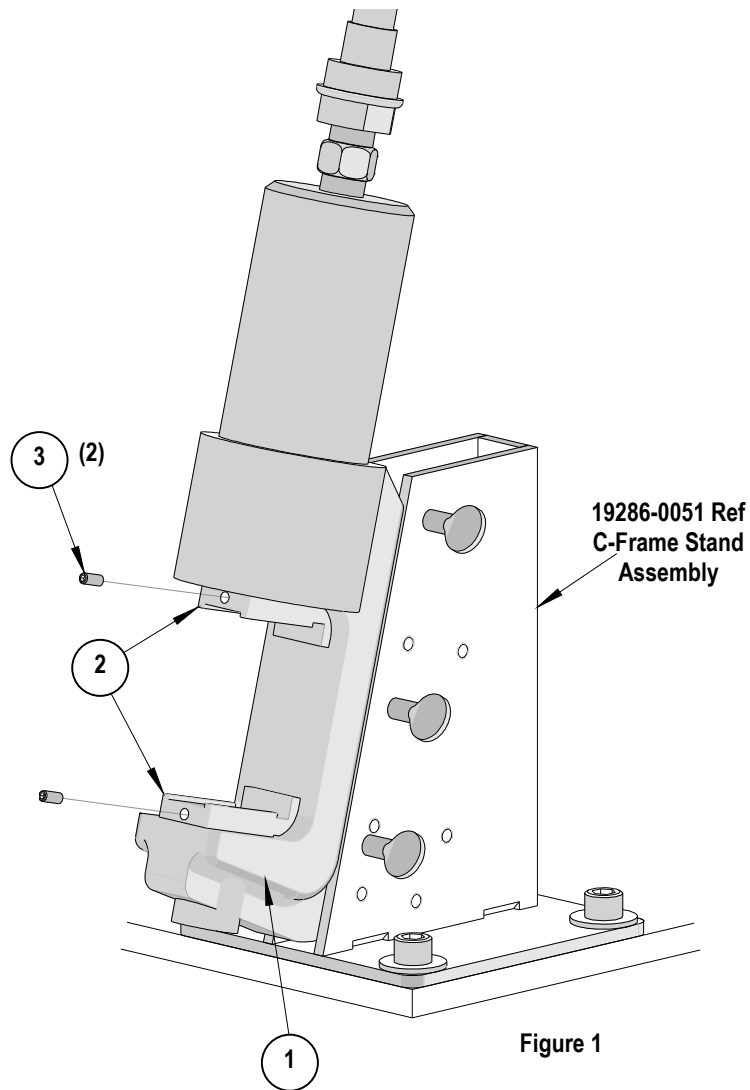


Figure 1

Visit our Web site at <http://www.molex.com>