

Excellent Integrated System Limited

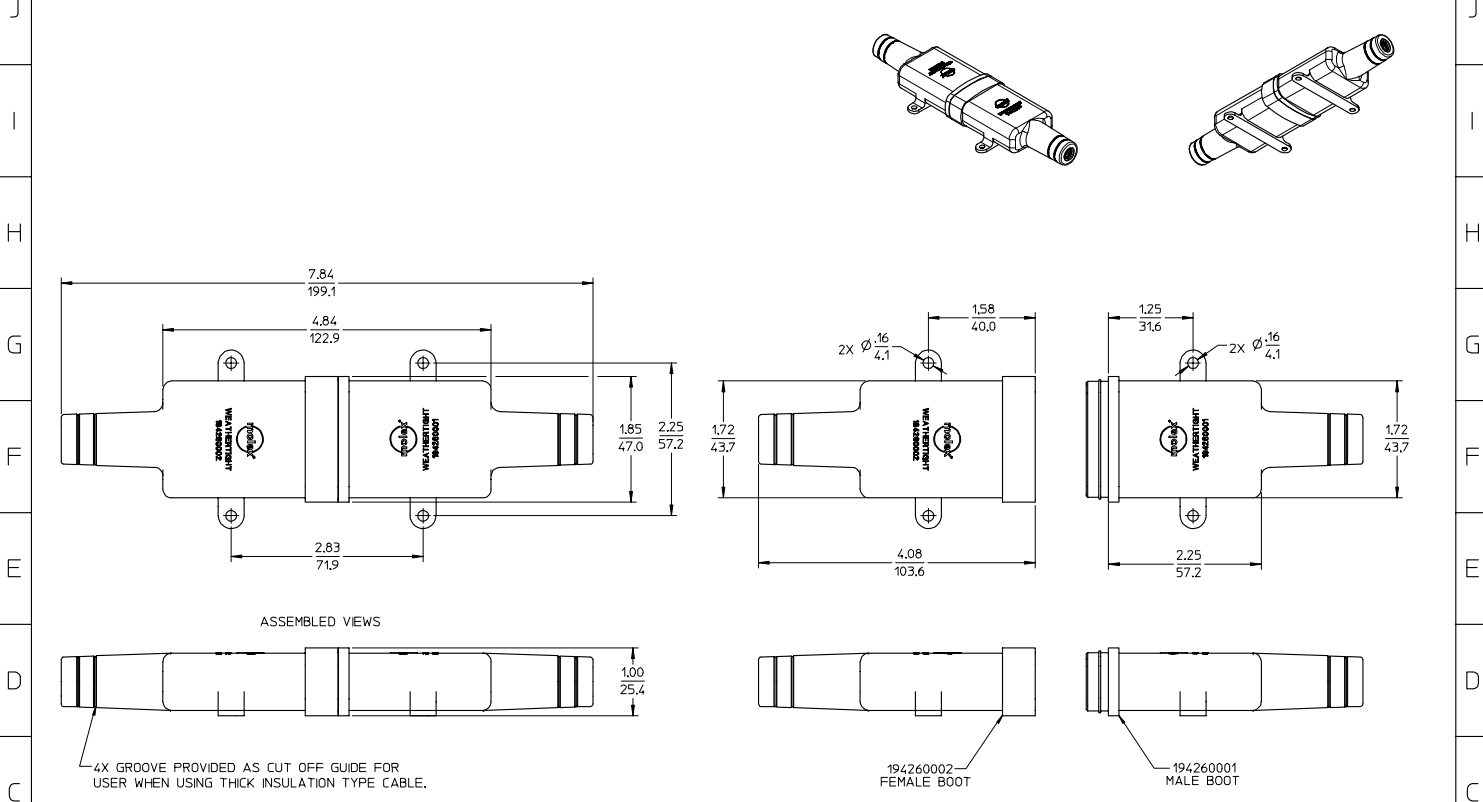
Stocking Distributor

Click to view price, real time Inventory, Delivery & Lifecycle Information:

[Molex Connector Corporation](#)
[0194260002](#)

For any questions, you can email us directly:
sales@integrated-circuit.com

12 11 10 9 8 7 6 5 4 3 2 19426



NOTES:

1. MATERIAL: THERMOPLASTIC ELASTOMER, COLOR: BLACK, UV RESISTANCE: UL "F".
2. PARTS ARE PACKAGED 15 EACH PER CARTON.

| EC NO: ETC2004-0190 DRAWN BY: DMYRICK 2004/01/24 CHKD: JPAWLICK 2004/01/24 APPR: RDEROSS 2004/01/24 | QUALITY SYMBOLS ▽-0 | GENERAL TOLERANCES (UNLESS SPECIFIED) | SCALE 1:1 | DESIGN UNITS INCH | THIRD ANGLE PROJECTION | REVISE ON CAD ONLY | | | | | | | | | | | | | |
|--|------------------------|--|---|--|---|--------------------|--------|--------|----------|--------|--------|----------|--------|--------|---------|---------|--------|-------|--|
| | | <table border="1"> <tr> <th></th> <th>mm</th> <th>INCH</th> </tr> <tr> <td>4 PLACES</td> <td>± .005</td> <td>± .001</td> </tr> <tr> <td>3 PLACES</td> <td>± .005</td> <td>± .001</td> </tr> <tr> <td>2 PLACES</td> <td>± .005</td> <td>± .001</td> </tr> <tr> <td>1 PLACE</td> <td>± 0.064</td> <td>± .001</td> </tr> </table> | | mm | INCH | 4 PLACES | ± .005 | ± .001 | 3 PLACES | ± .005 | ± .001 | 2 PLACES | ± .005 | ± .001 | 1 PLACE | ± 0.064 | ± .001 | IN/MM | |
| | mm | INCH | | | | | | | | | | | | | | | | | |
| 4 PLACES | ± .005 | ± .001 | | | | | | | | | | | | | | | | | |
| 3 PLACES | ± .005 | ± .001 | | | | | | | | | | | | | | | | | |
| 2 PLACES | ± .005 | ± .001 | | | | | | | | | | | | | | | | | |
| 1 PLACE | ± 0.064 | ± .001 | | | | | | | | | | | | | | | | | |
| | | DRAFT WHERE APPLICABLE MUST REMAIN WITHIN DIMENSIONS | DRAWN BY: DMYRICK DATE: 04/01/06 | CHECKED BY: JPAWLICK DATE: 04/01/06 | TITLE: WEATHERTIGHT MALE/FEMALE BOOT, 16-12 AWG, SC POWER CONNECTOR | | | | | | | | | | | | | | |
| | | | APPROVED BY: RDEROSS DATE: 04/01/06 | MOLEX INCORPORATED | | | | | | | | | | | | | | | |
| | | | MATERIAL NO. SEE DRAWING | | DOCUMENT NO. SD-19426-001 | SHEET NO. 1 OF 1 | | | | | | | | | | | | | |
| | | | THIS DRAWING CONTAINS INFORMATION THAT IS PROPRIETARY TO MOLEX INCORPORATED AND SHOULD NOT BE USED WITHOUT WRITTEN PERMISSION | | | | | | | | | | | | | | | | |

11 10 9 8 7 6 5 4 3 2 1