



Distributor of Molex Connector Corporation: Excellent Integrated System Limited
Datasheet of 0196020010 - Connector Quick Connect Receptacle/Tab 18-22 AWG 0.250"
(6.35mm) Crimp

Contact us: sales@integrated-circuit.com Website: www.integrated-circuit.com

Excellent Integrated System Limited

Stocking Distributor

Click to view price, real time Inventory, Delivery & Lifecycle Information:

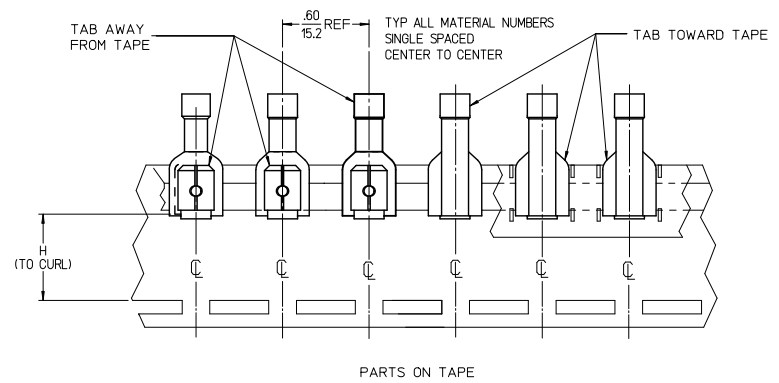
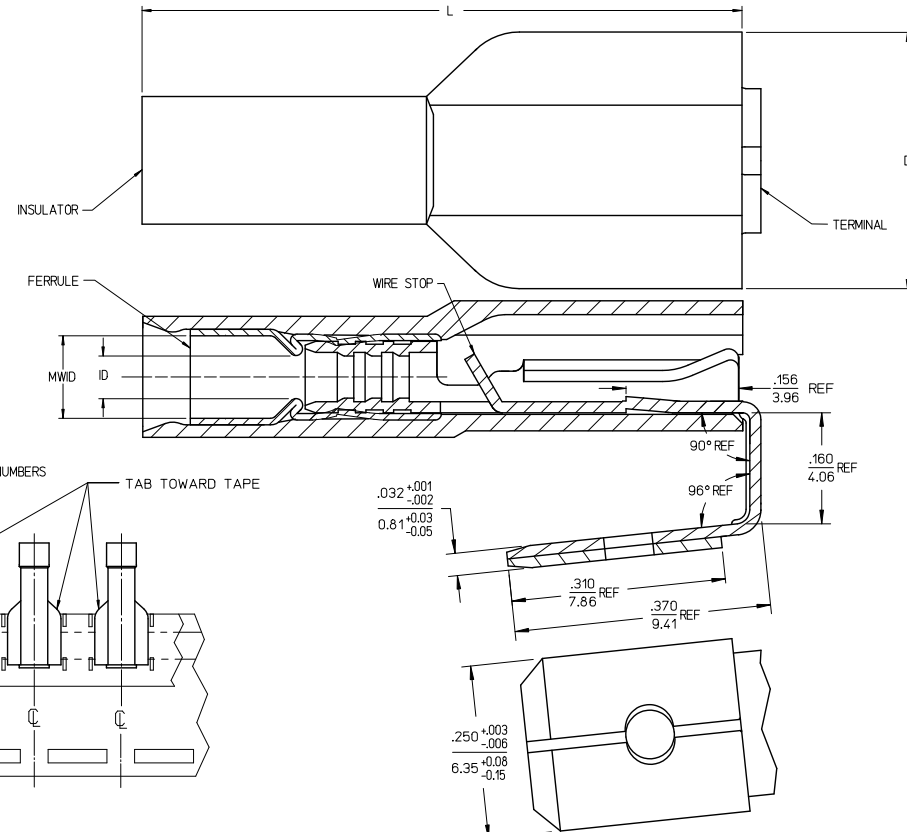
[Molex Connector Corporation](#)
[0196020010](#)

For any questions, you can email us directly:
sales@integrated-circuit.com

13	12	11	10	9	8	7	6	5	4	3	2	1
----	----	----	----	---	---	---	---	---	---	---	---	---

MATERIAL NO. LOOSE PC	ENGINEERING NO. LOOSE PC	MATERIAL NO. ON TAPE	ENGINEERING NO. ON TAPE	WIRE SIZE	INSULATOR COLOR	ID MIN REF	MWD	D MAX	L MAX	H NOMINAL	BARE TAB POSITION
196020004	19602-0004	196020010	19602-0010	22-18 AWG	RED	.117/2.95	.167/4.25	.380/9.65	.880/22.35	.54/13.7	AWAY FROM TAPE
196020005	19602-0005	196020011	19602-0011	16-14 AWG	BLUE	.079/2.00	.139/3.53	.380/9.65	.880/22.35	.54/13.7	AWAY FROM TAPE
196020006	19602-0006	196020012	19602-0012	12-10 AWG	YELLOW	.144/3.66	.231/5.87	.380/9.65	1.020/25.91	.57/14.4	TOWARD TAPE

Connector Corp. Excellent Integrated System Limited Website: www.excellent-circuit.com



PARTS ON TAPE (SCALE 2:1)

- NOTES:
1. TERMINAL MATERIAL: BRASS
 2. TERMINAL FINISH: TIN PLATED
 3. INSULATOR MATERIAL: NYLON
 4. FERRULE MATERIAL: COPPER ALLOY Ⓣ
 5. FERRULE FINISH: TIN PLATED
 6. MWD = MAXIMUM WIRE INSULATION DIAMETER.
 7. ASSEMBLY IS ROHS COMPLIANT.

FERRULE MATERIAL DESCR EC NO: VNA2009-0510 2010/01/04 DRW:ETHRODHL 2010/01/05 CHKD:JALNETL 2010/01/05 APPR:JALNETL 2010/01/05 REV	QUALITY SYMBOLS ▽=0 ▽=0	GENERAL TOLERANCES (UNLESS SPECIFIED) <table border="1"> <tr> <th></th> <th>mm</th> <th>INCH</th> </tr> <tr> <td>4 PLACES</td> <td>±---</td> <td>±---</td> </tr> <tr> <td>3 PLACES</td> <td>±---</td> <td>±---</td> </tr> <tr> <td>2 PLACES</td> <td>±---</td> <td>±---</td> </tr> <tr> <td>1 PLACE</td> <td>±---</td> <td>±---</td> </tr> <tr> <td>ANGULAR</td> <td>±---</td> <td>°</td> </tr> </table>		mm	INCH	4 PLACES	±---	±---	3 PLACES	±---	±---	2 PLACES	±---	±---	1 PLACE	±---	±---	ANGULAR	±---	°	DIMENSION STYLE IN/MM	SCALE ---	DESIGN UNITS INCH	THIRD ANGLE PROJECTION
		mm	INCH																					
	4 PLACES	±---	±---																					
	3 PLACES	±---	±---																					
2 PLACES	±---	±---																						
1 PLACE	±---	±---																						
ANGULAR	±---	°																						
DRAFT WHERE APPLICABLE MUST REMAIN WITHIN DIMENSIONS		DRAWN BY: DAY CHECKED BY: RWD APPROVED BY: RWD	DATE: 1997/08/21 DATE: 1997/08/21 DATE: 1997/08/21	TITLE: PIGGYBACK FIQD, .250 X .032 TAB, AVIKRIMP MOLEX INCORPORATED																				
		MATERIAL NO. SEE CHART SIZE C	DOCUMENT NO. SD-19602-001	SHEET NO. 1 OF 1																				
THIS DRAWING CONTAINS INFORMATION THAT IS PROPRIETARY TO MOLEX INCORPORATED AND SHOULD NOT BE USED WITHOUT WRITTEN PERMISSION																								