



Distributor of Molex Connector Corporation: Excellent Integrated System Limited

Datasheet of 0197054003 - Connector Quick Connect Tab 0.250" (6.35mm) Solder

Contact us: sales@integrated-circuit.com Website: www.integrated-circuit.com

Excellent Integrated System Limited

Stocking Distributor

Click to view price, real time Inventory, Delivery & Lifecycle Information:

[Molex Connector Corporation](#)
[0197054003](#)

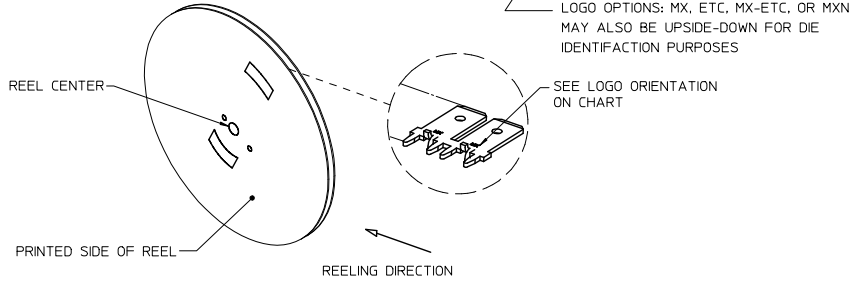
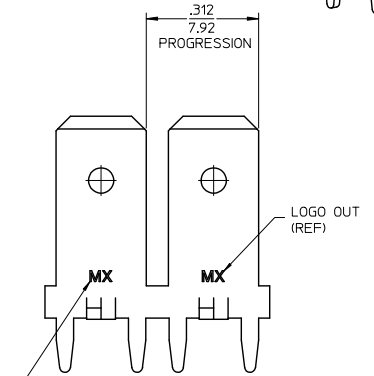
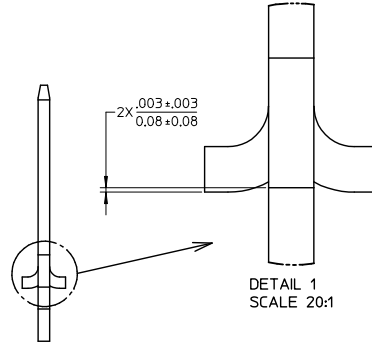
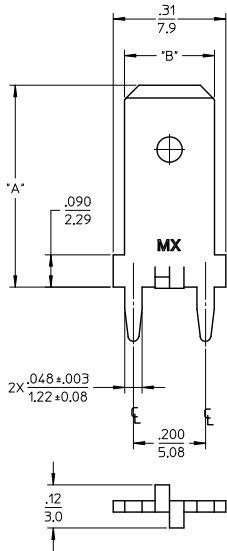
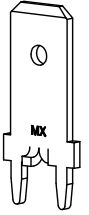
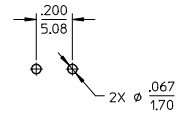
For any questions, you can email us directly:

sales@integrated-circuit.com

Contact us: sales@integrated-circuit.com Website: www.integrated-circuit.com

MATERIAL NUMBER	ENGINEERING NUMBER	CARRIER	LOGO ORIENTATION	DIMENSION 'A'	DIMENSION 'B'
197054003	19705-4003	STRIP	IN	.560/14.22	.250/6.35
197054103	19705-4103	STRIP	IN	.560/14.22	.187/4.75
197054105	19705-4105	STRIP	OUT	.560/14.22	.187/4.75
197054203	19705-4203	STRIP	IN	.405/10.29	.250/6.35
197054204	19705-4204	STRIP	OUT	.405/10.29	.250/6.35
197054001	19705-4001	LOOSE	-	.560/14.22	.250/6.35
197054101	19705-4101	LOOSE	-	.560/14.22	.187/4.75
197054201	19705-4201	LOOSE	-	.405/10.29	.250/6.35

RECOMMENDED PCB HOLE LAYOUT



- NOTES:
1. BARE EDGES PERMISSIBLE AT CARRIER CUT OFF.
 2. MATERIAL: BRASS C26000 (.032/0.81) THICK.
 3. TAB CONFORMS TO NEMA SPECIFICATIONS.
 4. ALL DIMENSIONS AND NOTES REFERENCE UNLESS OTHERWISE NOTED.
 5. PLATING: MATTE TIN OVER NICKEL 150μ IN/3.81 μ mm MINIMUM THICKNESS OVER NICKEL 50μ IN/1.25μ mm MINIMUM THICKNESS.
 6. 24" DIAMETER REEL WITH A 1.25" DIAMETER CENTER HOLE.
 7. PART IS RoHS COMPLIANT

DEL. QTY FROM CHART EC NO: IP6206-0228 DRAWN BY: JASOT 2015/09/24 CHKD: JANEIL 2015/09/24 APPR: JANEIL 2015/09/24 REV: L2	QUALITY SYMBOLS ▽=0 ▽=0	GENERAL TOLERANCES (UNLESS SPECIFIED) mm INCH 4 PLACES ± --- ± --- 3 PLACES ± --- ± .005 2 PLACES ± 0.13 ± .01 1 PLACE ± 0.25 ± --- ANGULAR ± 1/2°	DIMENSION STYLE IN/MM	SCALE 5:1	DESIGN UNITS INCH	THIRD ANGLE PROJECTION	
	DRAWN BY: EDB DATE: 11/08/96 CHECKED BY: JH DATE: 11/08/96 APPROVED BY: RWD DATE: 11/08/96	TITLE QUICK DISCONNECT PCB MOUNTABLE .250 & .187 X .032 TAB		MATERIAL NO. SEE CHART		DOCUMENT NO. SD-19705-400	
	DRAFT WHERE APPLICABLE MUST REMAIN WITHIN DIMENSIONS		SIZE C		THIS DRAWING CONTAINS INFORMATION THAT IS PROPRIETARY TO MOLEX INCORPORATED AND SHOULD NOT BE USED WITHOUT WRITTEN PERMISSION		
					MOLEX INCORPORATED		