



Distributor of Molex Connector Corporation: Excellent Integrated System Limited

Datasheet of 0197134006 - Connector Quick Connect Tab 0.250" (6.35mm) Solder

Contact us: sales@integrated-circuit.com Website: www.integrated-circuit.com

Excellent Integrated System Limited

Stocking Distributor

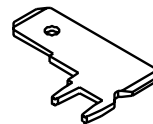
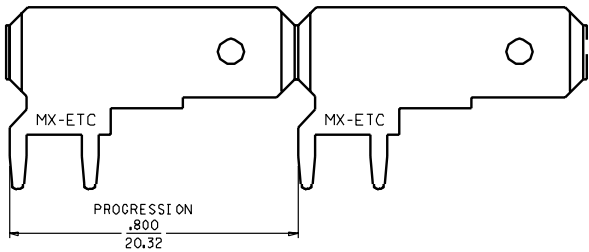
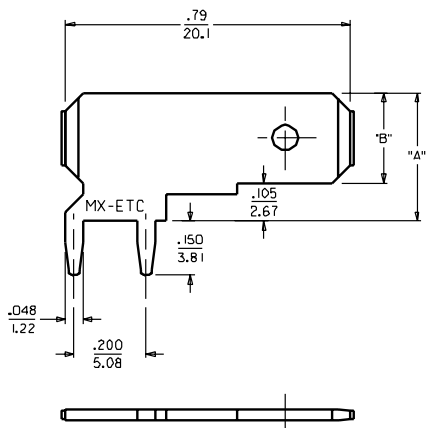
Click to view price, real time Inventory, Delivery & Lifecycle Information:

[Molex Connector Corporation](#)
[0197134006](#)

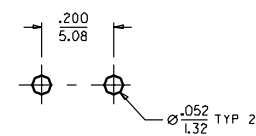
For any questions, you can email us directly:

sales@integrated-circuit.com

PIN ORIENTATION	MATERIAL NUMBER	ENGINEERING NUMBER	CUSTOMER NUMBER	CARRIER	PLATING	DIMENSION "A"	DIMENSION "B"
TAB FIRST	197134001	19713-4001	4000	LOOSE	TIN/LEAD	.355	.250
TAB FIRST	197134003	19713-4003	-	STRIP	TIN/LEAD	.355	.250
PINS FIRST	197134004	19713-4004	-	STRIP	TIN/LEAD	.355	.250

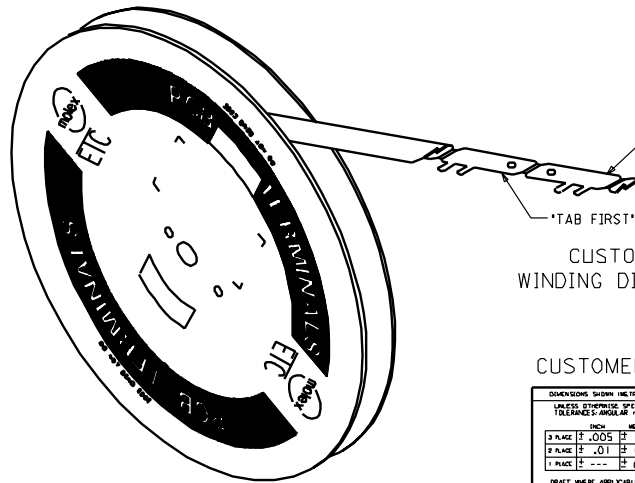


ISOMETRIC VIEW



RECOMMENDED P.W.B. HOLE LAYOUT

- NOTES:
1. BARE EDGES PERMISSIBLE AT CARRIER CUT OFF.
 2. MATERIAL: BRASS.
 3. MATERIAL THICKNESS: .032 ±.001 (0.813 ±0.03)
 4. TAB CONFORMS TO NEMA SPECIFICATIONS.
 5. ALL DIMENSIONS AND NOTES ARE REFERENCE ONLY UNLESS NOTED.
 6. PLATING: 90/10 TIN LEAD 150M IN(3.8M) MIN THICKNESS.
 7. FINISH: MATTE



CUSTOMER WINDING DIRECTION

CUSTOMER DRAWING

REV	REVISIONS
F	CHANGED FINISH ETC2001-011 BRE 03/21/2000
E	FINISH CHANGE ETC2001-011F 2000/08/29 HEB
D	ADDED ORIENTATION ETC2001-011D 08/16/2000 BRE
C	ADD PART NO. D6/24 JH ETC2001-0052
B	REMOVE NON-PLATED PARTS FROM CHART ETC2001-011
A	RELEASE TO CUSTOMER ETC2001-011

DIMENSIONS SHOWN (MILITARY ORIGIN)		REVISE ONLY ON CAD SYSTEM	
UNITS	INCH	TITLE	
3 PLACES	.005	QUICK DISCONNECT	
2 PLACES	.01	PCB MOUNTABLE	
1 PLACE	.025	.250 X .032 TAB	
DRAWING WHERE APPLICABLE MUST REMAIN WITHIN DIMENSIONS		DATE 98/04/28	
PART NO. 0197134006		SHEET NO. 1 OF 1	
DRAWN BY JH		SEE CHART SD-19713-400	
CHECKED BY RWD		DATE 97/3400	
SCALE 5:1		THE DRAWING CARRIER IDENTIFIER MUST BE PRESENT ON ALL ETC PARTS. THE DRAWING CARRIER IDENTIFIER MUST BE PRESENT ON ALL ETC PARTS.	