

Excellent Integrated System Limited

Stocking Distributor

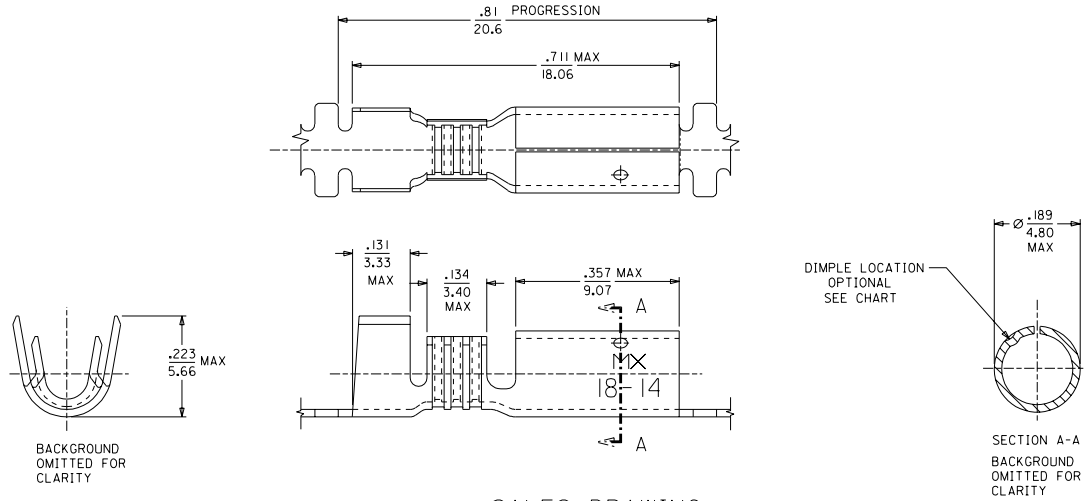
Click to view price, real time Inventory, Delivery & Lifecycle Information:

[Molex Connector Corporation](#)
[0197234103](#)

For any questions, you can email us directly:

sales@integrated-circuit.com

MATERIAL NO.	ENGINEERING NO.	DESCRIPTION	FINISH
197234100	19723-4100	CONTINUOUS STRIP WITH DIMPLE	UNPLATED
197234101	19723-4101	CONTINUOUS STRIP WITHOUT DIMPLE	
197234102	19723-4102	CONTINUOUS STRIP WITH DIMPLE	ELECTRO-TIN
197234103	19723-4103	CONTINUOUS STRIP WITHOUT DIMPLE	



SALES DRAWING

NOTES:
 1. MATERIA: BRASS.
 2. PLATING: SEE CHART.

NEW RELEASE EC NO. ETC2004-0035 DRW: BRE 03/08/07 CHK: HEB 03/08/07 APPR: RWD 03/08/07 REV A	QUALITY SYMBOLS MAJOR ∇ ± 0 CRITICAL ∇ ± 0 ∇ ± 0	GENERAL TOLERANCES: (UNLESS SPECIFIED) mm INCH 4 PLACES ± 0 $\pm .$ 3 PLACES ± 0 $\pm .$ 2 PLACES ± 0 $\pm .$ 1 PLACE ± 0 $\pm .$ ANGULAR: $\pm 1/2^\circ$		SCALE 4:1 DESIGN UNITS <input type="checkbox"/> mm <input checked="" type="checkbox"/> INCH	DRAWN BY & DATE BRE 03/08/07 CHECKED BY & DATE HEB 03/08/07 APPROVED BY & DATE RWD 03/08/07	DIMENSIONS: <input type="checkbox"/> mm <input checked="" type="checkbox"/> INCH <input type="checkbox"/> mm ONLY <input type="checkbox"/> INCH <input type="checkbox"/> mm ONLY	SHT 1 REV 1 REVISE ON CAD ONLY
		DRAFT WHERE APPLICABLE MUST REMAIN WITHIN DIMENSIONS		CAD FILENAME SD-19723-002 .DWG	TITLE: SNAP PLUG RECEPTACLE .156 DIA VIBRAKRIMP 18-14 AWG CHAIN STAMPED MOLEX INCORPORATED SEE CHART	MATERIAL NO. SD-19723-002 DRAWING NO. SD-19723-002	SHEET NO. 1 OF 1 SIZE B