

Excellent Integrated System Limited

Stocking Distributor

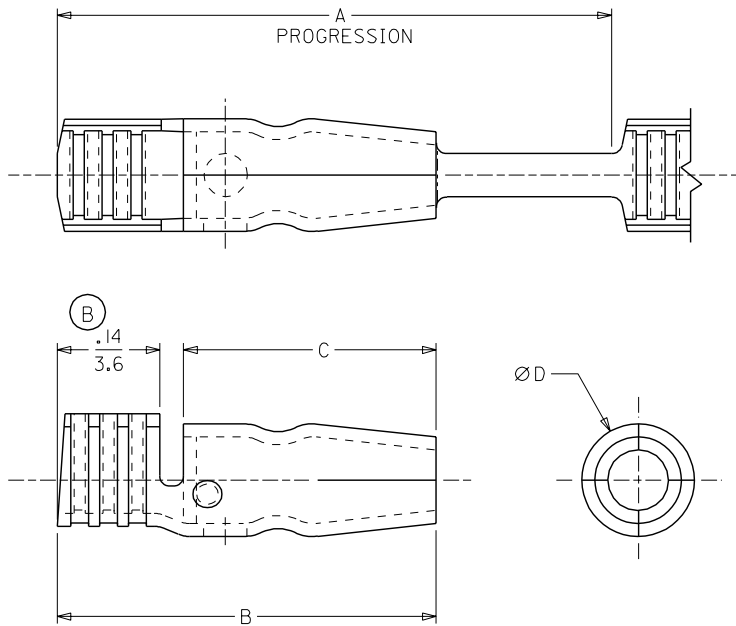
Click to view price, real time Inventory, Delivery & Lifecycle Information:

[Molex Connector Corporation](#)
[0197244200](#)

For any questions, you can email us directly:

sales@integrated-circuit.com

MATERIAL NUMBER	ENG. NUMBER	DESCRIPTION	FITS RECEPT. DIAMETER.	A	B	C	D
197244002	19724-4002	PLATED	.156/(3.96)	.76/(19.3)	.52/(13.3)	.35/(8.9)	.156/(3.96)
197244202	19724-4202	PLATED	.180/(4.57)	.83/(21.2)	.64/(16.4)	.44/(11.2)	.180/(4.57)
197244000	19724-4000	UNPLATED	.156/(3.96)	.76/(19.3)	.52/(13.3)	.35/(8.9)	.156/(3.96)
197244200	19724-4200	UNPLATED	.180/(4.57)	.83/(21.2)	.64/(16.4)	.44/(11.2)	.180/(4.57)



SALES DRAWING

NOTE(S):

1. MATERIAL: BRASS
2. MATERIAL THICKNESS: .016/(0.41)
3. PLATING: ELECTRO-TIN

ADDED UNPLT NO'S EC NO. ETC2003-0162 DRWG DLM 02/12/20 CHK: SB 02/12/20 APPR: RWD 02/12/20	QUALITY SYMBOLS MAJOR $\nabla = \emptyset$ CRITICAL $\nabla = \emptyset$	GENERAL TOLERANCES: (UNLESS SPECIFIED)		SCALE 5:1	DESIGN UNITS <input type="checkbox"/> mm <input checked="" type="checkbox"/> INCH	THIRD ANGLE PROJECTION	DIMENSIONS: <input type="checkbox"/> mm <input checked="" type="checkbox"/> INCH <input type="checkbox"/> mm ONLY	SHT REV
		4 PLACES ± 0.0005 $\pm .0005$ 3 PLACES ± 0.001 $\pm .001$ 2 PLACES ± 0.002 $\pm .002$ 1 PLACE ± 0.005 $\pm .005$	DRAWN BY & DATE DLM 02/12/20	TITLE: KRIMPTITE SNAP PLUG 18-14 AWG, OPEN BARREL CHAIN STAMPED		CHECKED BY & DATE SB 02/12/20	APPROVED BY & DATE RWD 02/12/20	MOLEX INCORPORATED
REV	DESCRIPTION	ANGULAR: $\pm 1/2^\circ$		CAD FILENAME SD19724001.DGN	MATERIAL NO. (SEE CHART)	DRAWING NO. SD-19724-001	SHEET NO. 1 OF 1	SIZE A

LBORD.DGN REV A
96/06/12 LEVEL 3

5

4

3

2

1