

Excellent Integrated System Limited

Stocking Distributor

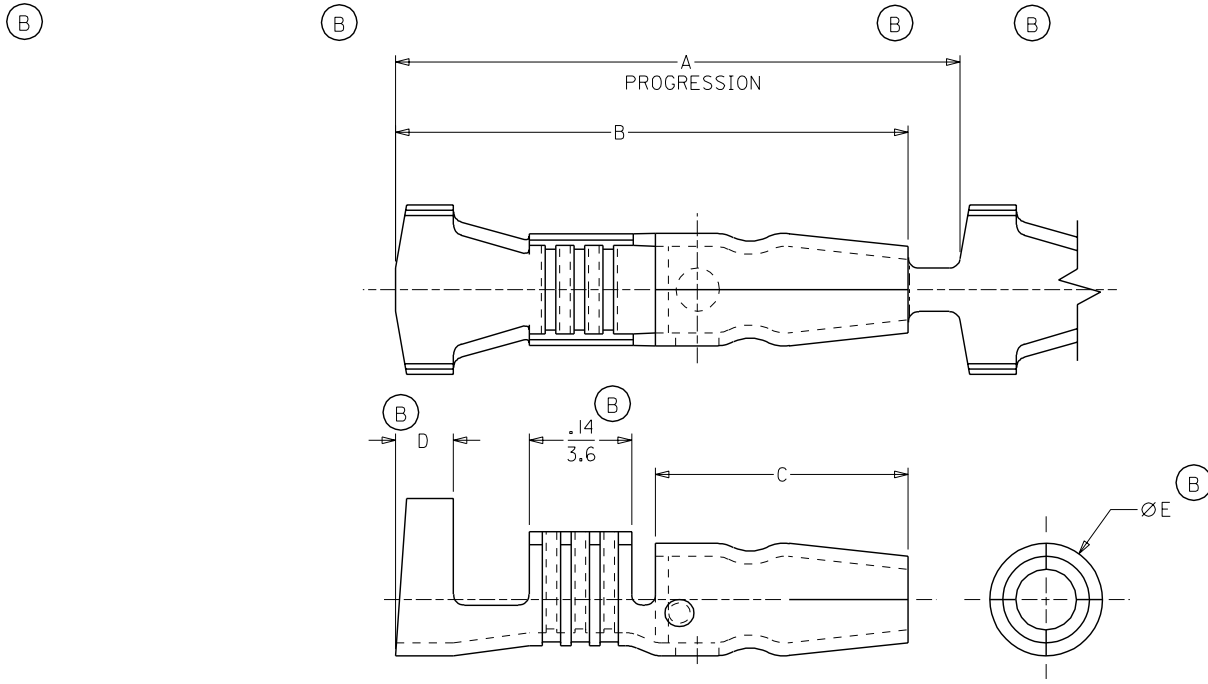
Click to view price, real time Inventory, Delivery & Lifecycle Information:

[Molex Connector Corporation](#)
[0197244402](#)

For any questions, you can email us directly:

sales@integrated-circuit.com

MATERIAL NUMBER	ENG. NUMBER	DESCRIPTION	FITS RECEPT. DIAMETER.	A	B	C	D	E
I97244102	I9724-4102	PLATED	.156/(3.96)	.76/(19.3)	.71/(18.0)	.35/(8.9)	.08/(2.0)	.156/(3.96)
I97244402	I9724-4402	PLATED	.180/(4.57)	.83/(21.2)	.74/(18.8)	.44/(11.2)	.06/(1.5)	.180/(4.57)
I97244100	I9724-4100	UNPLATED	.156/(3.96)	.76/(19.3)	.71/(18.0)	.35/(8.9)	.08/(2.0)	.156/(3.96)
I97244400	I9724-4400	UNPLATED	.180/(4.57)	.83/(21.2)	.74/(18.8)	.44/(11.2)	.06/(1.5)	.180/(4.57)



SALES DRAWING

NOTE(S):
 1. MATERIAL: BRASS
 2. MATERIAL THICKNESS: .016/(0.41)
 3. PLATING: ELECTRO-TIN

ADDED UNPLT NO'S EC NO. ETC2003-0162 DRWG DLM 02/12/20 CHK: SB 02/12/20 APPR: RWD 02/12/20	QUALITY SYMBOLS MAJOR $\nabla = \emptyset$ CRITICAL $\nabla = \emptyset$	GENERAL TOLERANCES: (UNLESS SPECIFIED)		SCALE 5:1	DESIGN UNITS <input type="checkbox"/> mm <input checked="" type="checkbox"/> INCH	THIRD ANGLE PROJECTION <input type="checkbox"/> mm <input checked="" type="checkbox"/> INCH <input type="checkbox"/> mm ONLY	DIMENSIONS:	SHT	REV		
		4 PLACES ± 0.000 $\pm .000$	3 PLACES ± 0.000 $\pm .005$	2 PLACES ± 0.13 $\pm .010$	1 PLACE ± 0.25 $\pm .000$	DRAWN BY & DATE DLM 02/12/20	CHECKED BY & DATE SB 02/12/20	APPROVED BY & DATE RWD 02/12/20	TITLE: VIBRAKRIMP SNAP PLUG 18-14 AWG, OPEN BARREL CHAIN STAMPED	REVISE ON CAD ONLY	
		ANGULAR: $\pm 1/2^\circ$		CAD FILENAME SD19724002.DGN	MATERIAL NO. (SEE CHART)	DRAWING NO. SD-19724-002	SHEET NO. 1 OF 1				
		DRAFT WHERE APPLICABLE MUST REMAIN WITHIN DIMENSIONS									

LBORD.DGN REV A
96/06/12 LEVEL 3

5

4

3

2

1

SIZE A