

## Excellent Integrated System Limited

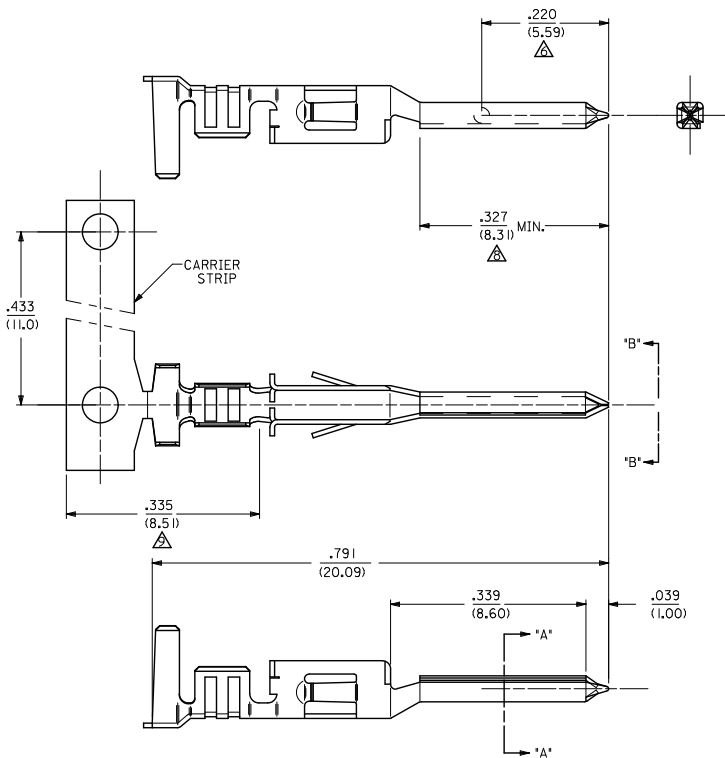
Stocking Distributor

Click to view price, real time Inventory, Delivery & Lifecycle Information:

[Molex Connector Corporation](#)  
[0304909802](#)

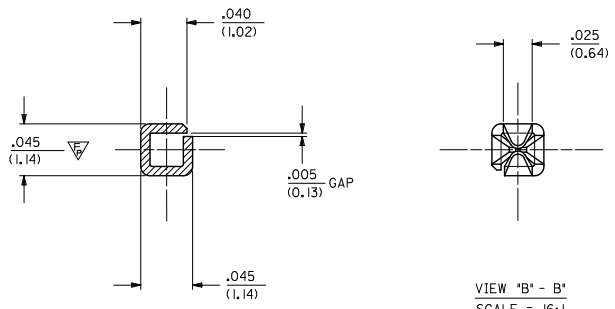
For any questions, you can email us directly:

[sales@integrated-circuit.com](mailto:sales@integrated-circuit.com)



NOTES:

- 1- MATERIAL: PHOSPHOR BRONZE ALLOY C52100
- 2- FINISH:
  - (A) - SELECTIVE GOLD PLATE .00030/(0.00076)MIN. AND SELECTIVE TIN .000100/(0.00254) OVER .00050/(0.00127) NICKEL OVERALL.
  - (B) - .000100/(0.00254) TIN OVER .00050/(0.00127) NICKEL.
- 3- PRODUCT SPECIFICATION: TBD.
- 4- PACKAGING INFORMATION: SEE SHEET 2 FOR CHAIN PK-5556-003 FOR LOOSE TERMINALS
- 5-FOR USE WITH ASSEMBLY NO. A-30490-0001.
- △ -MEASURING POINT FOR PLATING THICKNESS.
- ▽ -TERMINAL CANNOT BE USED IN 42475 OR 43558 HOUSINGS.
- △ -GOLD PLATING AREA.
- △ -TIN PLATING AREA.



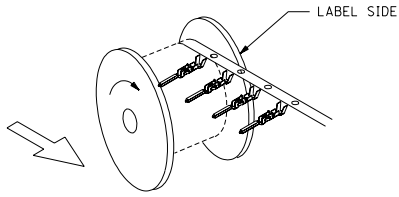
SECTION 'A - A'  
SCALE = 16:1

VIEW 'B' - B'  
SCALE = 16:1

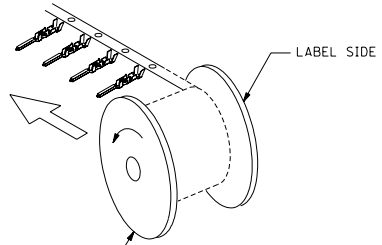
30490-9902	B	CHAIN	RIGHT TO LEFT (SEE SHT. 2)	4000	18-24
30490-9802	A	CHAIN	RIGHT TO LEFT (SEE SHT. 2)		
30490-2012	B	LOOSE	LEFT TO RIGHT (SEE SHT. 2)	4000	18-24
30490-2002	B	CHAIN	LEFT TO RIGHT (SEE SHT. 2)		
30490-1012	A	LOOSE	LEFT TO RIGHT (SEE SHT. 2)		
30490-1002	A	CHAIN	LEFT TO RIGHT (SEE SHT. 2)		
ITEM NO.	PLATING	FORM	UNREEL DIRECTION	QTY. PER REEL	WIRE GAGE REF.
AFTER PLATING					

CORRECTED NOTE 4 REC NO: 0A02011-0264 DRWN: JAGUILAR 2010/09/30 CHKD: APPROVAL E3	DESCRIPTION APPROVAL 2011/01/28	QUALITY SYMBOLS ▽=0 ▽=1 ▽=2	GENERAL TOLERANCES (UNLESS SPECIFIED)		DIMENSION STYLE IN/MM		SCALE 8:1	DESIGN UNITS INCH	THIRD ANGLE PROJECTION
			mm	INCH	DRAWN BY BBW	DATE 9/21/12	TITLE CRIMP TERMINAL MINI-FIT STYLE		
			4 PLACES ± --- ± ---	3 PLACES ± --- ± .010	CHECKED BY	DATE	APPROVED BY MKNACK		
			2 PLACES ± 0.25 ± .015	1 PLACE ± 0.38 ± ---	APPROVED BY MKNACK	DATE 2011/01/28	MATERIAL NO. SD-30490-***2		
DRAFT WHERE APPLICABLE MUST REMAIN WITHIN DIMENSIONS			SEE CHART		DOCUMENT NO.		SHEET NO. 1 OF 2		THIS DRAWING CONTAINS INFORMATION THAT IS PROPRIETARY TO MOLEX INCORPORATED AND SHOULD NOT BE USED WITHOUT WRITTEN PERMISSION

LEFT TO RIGHT  
UNREELING



RIGHT TO LEFT  
UNREELING



RED FLANGE NO. 70180-0659  
EDP NO. 85-06-0002  
FOR (RED) 3 REEL CARTON  
PART NO. 70180-0479  
EDP NO. 85-01-0479

THIS IS SPECIAL PACKAGING -  
ALL NON-AIRBAG CUSTOMERS  
WILL USE STANDARD PACKAGING

	SEE SHEET 1
C	PDC 94/12/09
	REVISIONS

DIMENSIONS SHOWN IN METRIC/INCH UNLESS OTHERWISE SPECIFIED TOLERANCES ARE AS FOLLOWS:		MFG. SH. REV. LTR. REVISIONS	
3 PLACE ± .005	---	√ = 0	∇ = 0
2 PLACE ± .01	± 0.15	REVISE ONLY ON CAD SYSTEM	
1 PLACE ---	± 0.25	TITLE	
DRAFT WHERE APPLICABLE MUST REMAIN WITHIN DIMENSIONS		CRIMP TERMINAL MINI-FIT STYLE	
DRG. BY: BBW	CHK. BY:	MOLEX INCORPORATED LISECAL 6052 U.S.A.	SHEET NO. 2 DATE 92/1/22
APP'D. BY:	SCALE: 1	PART NO. 30490-***2	DRG. NO. SD-30490-***2
		THIS DRAWING CONTAINS INFORMATION THAT IS PROPRIETARY TO MOLEX INC. AND SHOULD NOT BE USED WITHOUT WRITTEN PERMISSION.	