

## Excellent Integrated System Limited

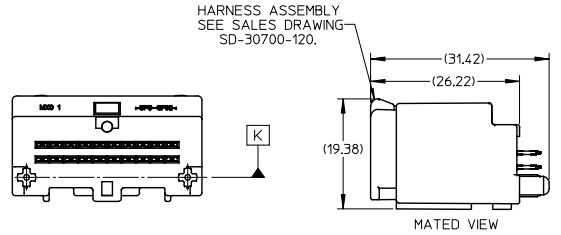
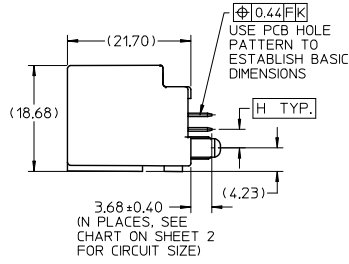
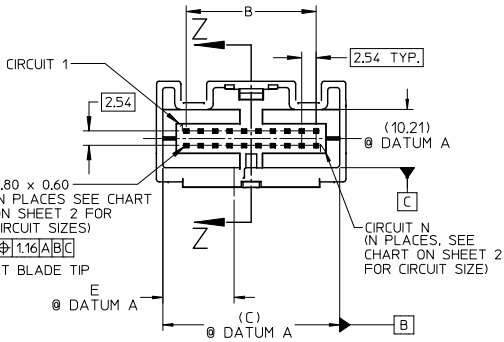
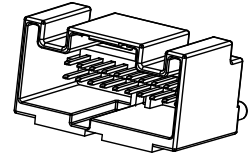
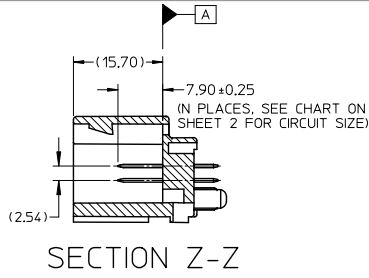
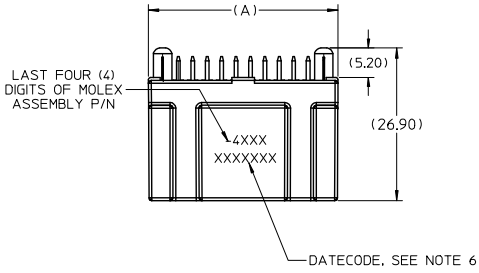
Stocking Distributor

Click to view price, real time Inventory, Delivery & Lifecycle Information:

[Molex Connector Corporation](#)  
[0307004062](#)

For any questions, you can email us directly:

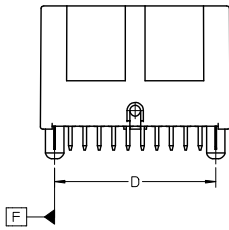
[sales@integrated-circuit.com](mailto:sales@integrated-circuit.com)



**NOTES:**

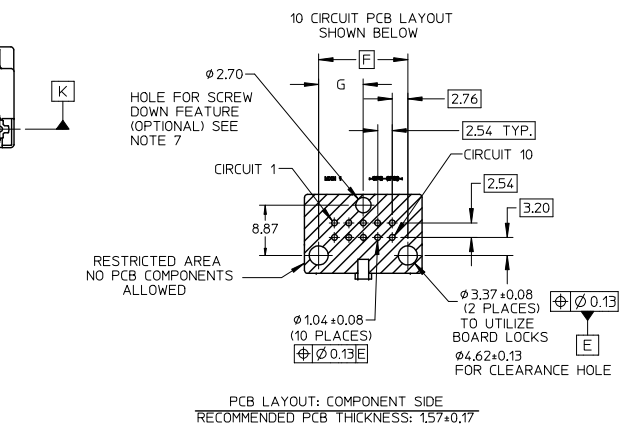
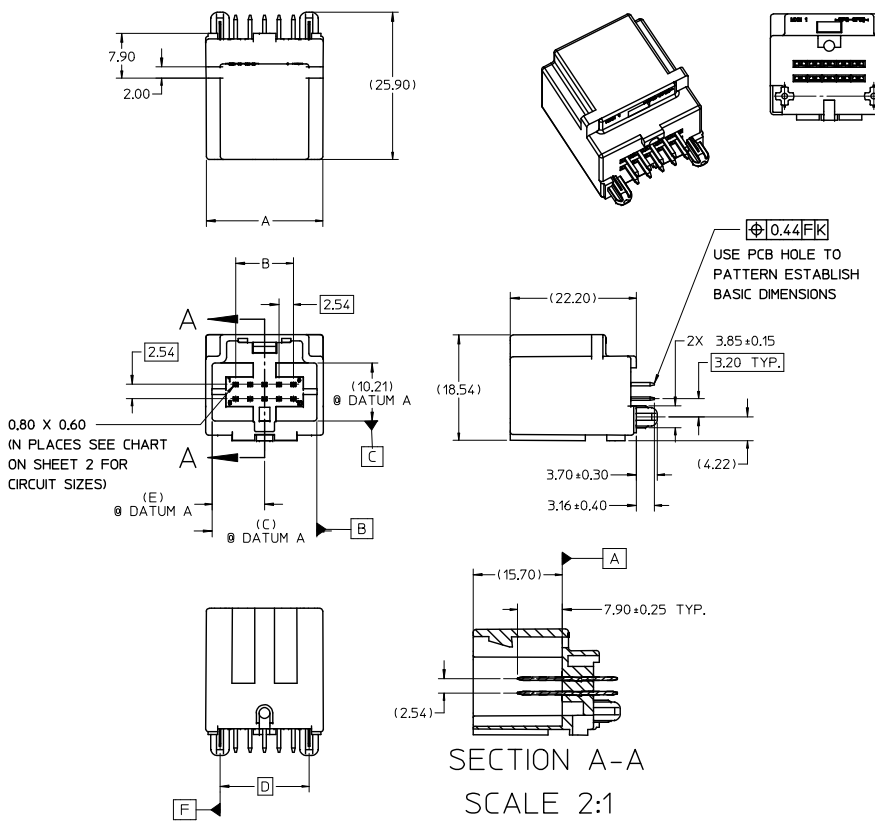
- MATERIAL: HOUSING: SPS, GLASS FILLED, COLOR: SEE CHART. TERMINAL: COPPER ALLOY C26000.
- FINISHES: TERMINAL: 1.50-2.50µm TIN (Sn) OVERALL, 1.25µm MIN NICKEL (Ni) UNDERPLATE OVERALL.
- PRODUCT SPECIFICATION: PS-30700-0001
- PACKAGING SPECIFICATION: TUBE: PK-30907-227, TRAY: PK-30907-260
- MATES WITH: SERIES 30700, SEE SALES DRAWING SD-30700-120.
- DATECODE DESCRIPTION:
  - 1ST DIGIT: MACHINE ID#
  - 2ND THROUGH 4TH DIGIT: DAY # OF THE CALENDAR YEAR (EXAMPLE: FEB. 3RD = '034')
  - 5TH DIGIT: LAST DIGIT OF THE CALENDAR YEAR (EXAMPLE: 1999 = '9')
  - 6TH THROUGH 7TH DIGIT: HOUR OF THE DAY.
- RECOMMENDED OPTIONAL SCREW: M2 x 0.89, 6mm IN LENGTH, PAN COLLAR HEAD, 6 LOBE, TORQUE: 7 NEWTON CENTIMETERS

**20 CIRCUIT VERTICAL HEADER ASSEMBLY SHOWN**

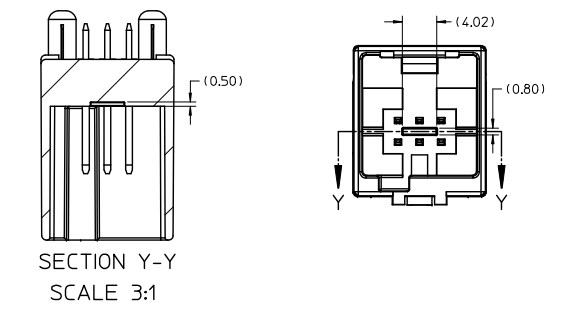


SEE ECN# UAU2001-0258 EC NO: UAU2017-0015 DRWN: JFISCHER02015/06/09 CHKD: APPR: RBAUMAN 2016/07/15 DESCRIPTION	QUALITY SYMBOLS	GENERAL TOLERANCES (UNLESS SPECIFIED)		SCALE 2:1	DESIGN UNITS METRIC	THIRD ANGLE PROJECTION	REVISE ON CAD ONLY
	▽ -0 ▽ -0		mm	INCH	DIMENSION STYLE MM ONLY		TITLE 6-20 CIRCUIT VERTICAL HEADER ASSEMBLY MOLEX MOLEX INCORPORATED
		4 PLACES ± --- ± ---			DRAWN BY RCARLSON	DATE 01/03/20	
		3 PLACES ± --- ± ---			CHECKED BY CKRISHNA	DATE 01/03/27	
	2 PLACES ± 0.13 ± ---			APPROVED BY LGEB	DATE 01/03/28	MATERIAL NO. ENTER-PART	DOCUMENT NO. SD-30700-420
	1 PLACE ± 0.25 ± ---			DRAFT WHERE APPLICABLE MUST REMAIN WITHIN DIMENSIONS		SHEET NO. 1 OF 3	
				THIS DRAWING CONTAINS INFORMATION THAT IS PROPRIETARY TO MOLEX INCORPORATED AND SHOULD NOT BE USED WITHOUT WRITTEN PERMISSION			

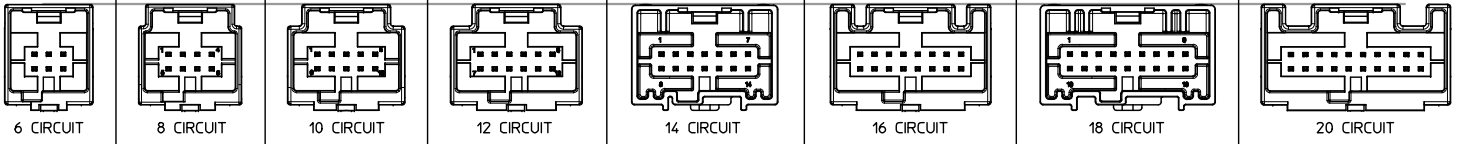
THESE VIEWS APPLY TO 31390-4XXX PART NUMBERS



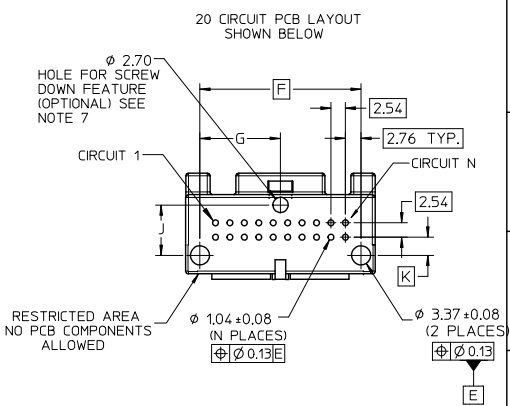
BELOW VIEWS APPLY TO 30700-4067/8/9 PART NUMBERS



EC NO: UAU02017-0015 DRAWN: JFISCHER02015/06/09 CHKD: RBBAUMAN 2016/07/15 APPR: RBBAUMAN 2016/07/15 DESCRIPTION:	QUALITY SYMBOLS	GENERAL TOLERANCES (UNLESS SPECIFIED)		SCALE 1:1	DESIGN UNITS METRIC	THIRD ANGLE PROJECTION	REVISE ON CAD ONLY
	▽-0	mm	INCH	DIMENSION STYLE MM ONLY		TITLE	
	▽-0	4 PLACES ±---	±---	DRAWN BY RCARLSON DATE 01/03/20		6-20 CIRCUIT VERTICAL HEADER ASSEMBLY	
		3 PLACES ±---	±---	CHECKED BY CKRISHNA DATE 01/03/27		MOLEX INCORPORATED	
	2 PLACES ±0.13	±---	APPROVED BY LGIIB DATE 01/03/28		MATERIAL NO.	DOCUMENT NO.	SHEET NO.
	1 PLACE ±0.25	±---	DRAFT WHERE APPLICABLE MUST REMAIN WITHIN DIMENSIONS		ENTER-PART SD-30700-420		2 OF 3
	ANGULAR ± 1°			THIS DRAWING CONTAINS INFORMATION THAT IS PROPRIETARY TO MOLEX INCORPORATED AND SHOULD NOT BE USED WITHOUT WRITTEN PERMISSION			



PACKAGING		POLARIZATION OPTIONS & CIRCUIT SIZE		PRODUCT DIMENSIONS							
ASSEMBLY P/N TRAY PACKED	ASSEMBLY P/N TUBE PACKED	VERTICAL HEADER ASSEMBLY (POLARIZATION OPTIONS)	CIRCUIT SIZE	(A)	B	(C)	D	E	H	HOUSING COLOR	STATUS
30700-4200	30700-4204	POLARIZATION OPTION #1	20	33.38	22.86	31.14	28.38	12.57	3.20	GRAY	RELEASED
30700-4201	30700-4205	POLARIZATION OPTION #2	20	33.38	22.86	31.14	28.38	15.57		BLACK	RELEASED
30700-4202	30700-4206	POLARIZATION OPTION #3	20	33.38	22.86	31.14	28.38	18.57	3.25	NATURAL (CREAM)	RELEASED
30700-4187	---	POLARIZATION OPTION #1	18	30.84	20.32	28.60	25.84	11.31		GRAY	RELEASED
30700-4188	---	POLARIZATION OPTION #2	18	30.84	20.32	28.60	25.84	14.31	3.20	BLACK	RELEASED
30700-4189	---	POLARIZATION OPTION #3	18	30.84	20.32	28.60	25.84	17.31		NATURAL (CREAM)	RELEASED
30700-4160	30700-4164	POLARIZATION OPTION #1	16	28.30	17.78	26.06	23.30	10.04	3.20	GRAY	RELEASED
30700-4161	30700-4165	POLARIZATION OPTION #2	16	28.30	17.78	26.06	23.30	13.04		BLACK	RELEASED
30700-4162	30700-4166	POLARIZATION OPTION #3	16	28.30	17.78	26.06	23.30	16.04	3.25	NATURAL (CREAM)	RELEASED
30700-4147	---	POLARIZATION OPTION #1	14	25.76	15.24	23.52	20.76	8.77		GRAY	RELEASED
30700-4148	---	POLARIZATION OPTION #2	14	25.76	15.24	23.52	20.76	11.77	3.20	BLACK	RELEASED
30700-4149	---	POLARIZATION OPTION #3	14	25.76	15.24	23.52	20.76	14.77		NATURAL (CREAM)	RELEASED
30700-4120	30700-4124	POLARIZATION OPTION #1	12	23.22	12.70	20.98	18.22	7.50	3.20	GRAY	RELEASED
30700-4121	30700-4125	POLARIZATION OPTION #2	12	23.22	12.70	20.98	18.22	10.50		BLACK	RELEASED
30700-4122	30700-4126	POLARIZATION OPTION #3	12	23.22	12.70	20.98	18.22	13.50	3.20	NATURAL (CREAM)	RELEASED
30700-4100	30700-4104	POLARIZATION OPTION #1	10	20.68	10.16	18.44	15.68	6.23		GRAY	RELEASED
30700-4101	30700-4105	POLARIZATION OPTION #2	10	20.68	10.16	18.44	15.68	9.23	3.20	BLACK	RELEASED
30700-4102	30700-4106	POLARIZATION OPTION #3	10	20.68	10.16	18.44	15.68	12.23		NATURAL (CREAM)	RELEASED
30700-4080	30700-4084	POLARIZATION OPTION #1	8	18.14	7.62	15.90	13.14	4.96	3.20	GRAY	RELEASED
30700-4081	30700-4085	POLARIZATION OPTION #2	8	18.14	7.62	15.90	13.14	7.96		BLACK	RELEASED
30700-4082	30700-4086	POLARIZATION OPTION #3	8	18.14	7.62	15.90	13.14	10.96	3.20	NATURAL (CREAM)	RELEASED
30700-4060	30700-4064	POLARIZATION OPTION #1	6	15.60	5.08	13.36	10.60	3.69		GRAY	RELEASED
30700-4061	30700-4065	POLARIZATION OPTION #2	6	15.60	5.08	13.36	10.60	6.69	3.20	BLACK	RELEASED
30700-4062	30700-4066	POLARIZATION OPTION #3	6	15.60	5.08	13.36	10.60	9.69		NATURAL (CREAM)	RELEASED



**31390 SERIES DENOTES HDAC WITH SIDE STRAIN RELIEF WINGS AS SHOWN ON SHEET 3**

PACKAGING		POLARIZATION OPTIONS & CIRCUIT SIZE		PRODUCT DIMENSIONS							
ASSEMBLY P/N TRAY PACKED	ASSEMBLY P/N TUBE PACKED	VERTICAL HEADER ASSEMBLY (POLARIZATION OPTIONS)	CIRCUIT SIZE	(A)	B	(C)	D	E	H	HOUSING COLOR	STATUS
31390-4101	31390-4105	POLARIZATION OPTION #2	10	20.69	10.16	18.44	15.68	9.22		GRAY	NOT RELEASED

**30700-4067/8/9 PART NUMBER DENOTES HDAC WITH MOAT FEATURE**

PACKAGING		POLARIZATION OPTIONS & CIRCUIT SIZE		PRODUCT DIMENSIONS							
ASSEMBLY P/N TRAY PACKED	ASSEMBLY P/N TUBE PACKED	VERTICAL HEADER ASSEMBLY (POLARIZATION OPTIONS)	CIRCUIT SIZE	(A)	B	(C)	D	E	H	HOUSING COLOR	STATUS
30700-4067	TBD	POLARIZATION OPTION #1	6	15.60	5.08	13.36	10.60	3.69		GRAY	RELEASED
30700-4068	TBD	POLARIZATION OPTION #2	6	15.60	5.08	13.36	10.60	6.69		BLACK	RELEASED
30700-4069	TBD	POLARIZATION OPTION #3	6	15.60	5.08	13.36	10.60	9.69		NATURAL (CREAM)	RELEASED

PCB LAYOUT: COMPONENT SIDE  
RECOMMENDED PCB THICKNESS: 1.57±0.17

PCB LAYOUT DIMENSIONS					
CIRCUIT SIZE (N)	F	G	J	K	
20	28.38	14.19	8.87	3.20	
18	25.84	12.92	8.94	3.25	
16	23.30	11.65	8.87	3.20	
14	20.76	10.38	8.94	3.25	
12	18.22	9.11	8.87	3.20	
10	15.68	7.84	8.87	3.20	
8	13.14	6.57	8.87	3.20	
6	10.60	5.30	8.87	3.20	

SEE ECN# UAU2001-0258 ECN NO: UAU2007-0045 DRWN: JFSCHER02015/06/09 CHKD: --- APPR: RBAUMAN 2016/07/15 E3	QUALITY SYMBOLS	GENERAL TOLERANCES (UNLESS SPECIFIED)	SCALE 2:1	DESIGN UNITS METRIC	THIRD ANGLE PROJECTION	REVISE ON CAD ONLY	
	▽-0	4 PLACES ± --- ± ---	mm	DIMENSION STYLE MM ONLY	TITLE		
	▽-0	3 PLACES ± --- ± ---	INCH	DRAWN BY R CARLSON	DATE 01/03/20	6-20 CIRCUIT VERTICAL HEADER ASSEMBLY	
		2 PLACES ± 0.13 ± ---		CHECKED BY CKRISHNA	DATE 01/03/27	MOLEX MOLEX INCORPORATED	
	1 PLACE ± 0.25 ± ---	ANGULAR ± 1 °	APPROVED BY LGEIB	DATE 01/03/28	MATERIAL NO. ENTER-PART	DOCUMENT NO. SD-30700-420	
		DRAFT WHERE APPLICABLE MUST REMAIN WITHIN DIMENSIONS			SHEET NO. 3 OF 3		