

Excellent Integrated System Limited

Stocking Distributor

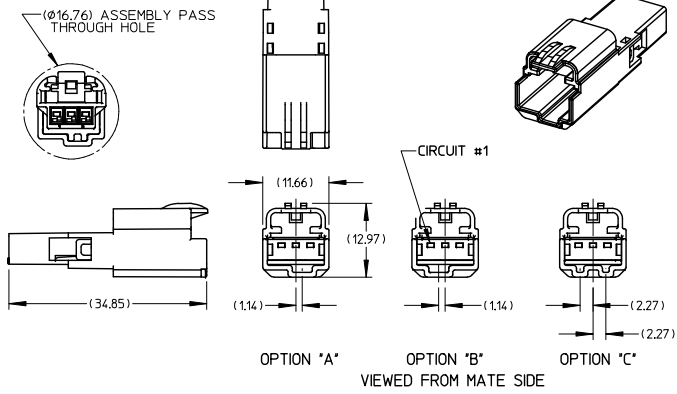
Click to view price, real time Inventory, Delivery & Lifecycle Information:

[Molex Connector Corporation](#)
[0310721042](#)

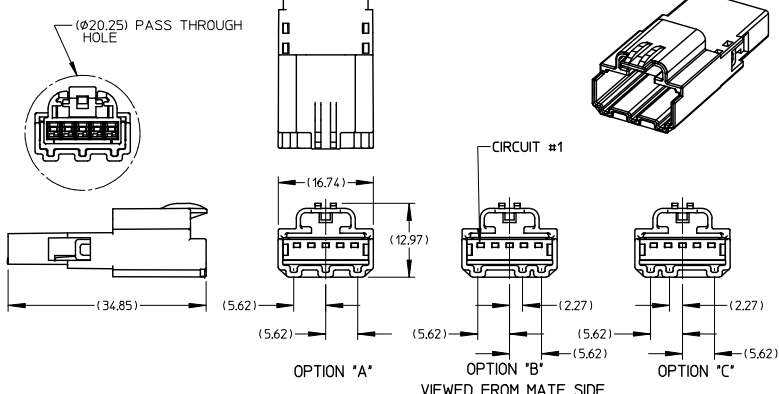
For any questions, you can email us directly:

sales@integrated-circuit.com

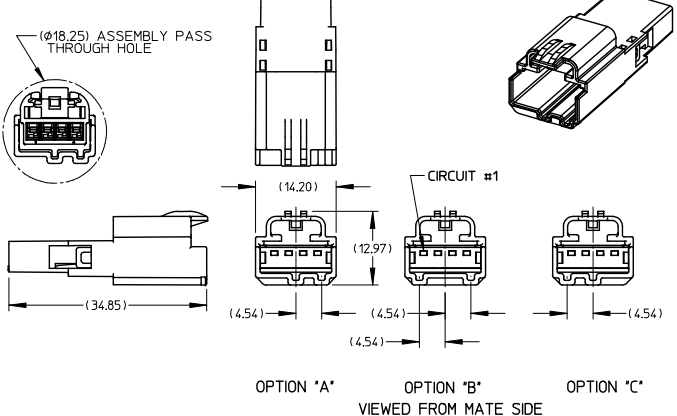
3 WAY MALE HOUSING ASSEMBLY WITHOUT XMAS TREE (VIEWED FROM MATE SIDE)



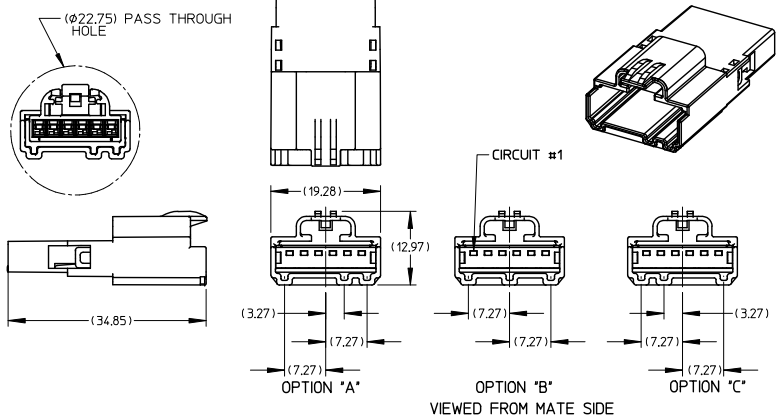
5 WAY MALE HOUSING ASSEMBLY WITHOUT XMAS TREE (VIEWED FROM MATE SIDE)



4 WAY MALE HOUSING ASSEMBLY WITHOUT XMAS TREE (VIEWED FROM MATE SIDE)



6 WAY MALE HOUSING ASSEMBLY WITHOUT XMAS TREE (VIEWED FROM MATE SIDE)

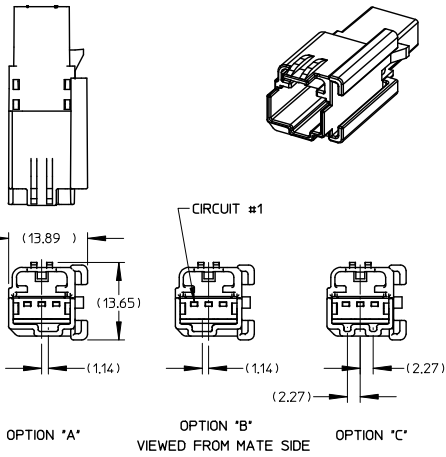


- NOTES:
1. MATERIAL: HOUSING: SPS GLASS FILLED, COLOR SEE CHART. TPA: PBT.
 2. PRODUCT SPECIFICATION: PS-31067-0001.
 3. PACKAGING SPECIFICATION: DRAWING PK-31301-067.
 4. MATES WITH: SEE SALES DRAWINGS SD-31109-003.

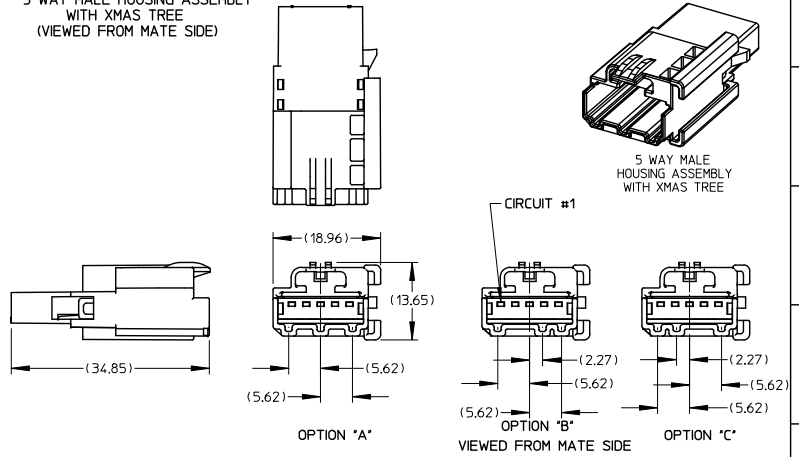
EC NO: HAU/2009-1155
 DRW: THERFUR/09/05/12
 CHK: TANGEL/09/05/14
 APPR: MKNACK/2009/05/14
 REV: DESCRIPTION
 E1

QUALITY SYMBOLS	GENERAL TOLERANCES (UNLESS SPECIFIED)		SCALE 2:1	DESIGN UNITS METRIC	THIRD ANGLE PROJECTION	REVISE ON CAD ONLY
	mm	INCH	DIMENSION STYLE MM ONLY		MALE ASSEMBLY CHARTED SALES DRAWING	
▽-0	4 PLACES ±---	±---	DRAWN BY DEMEO	DATE 01/04/04		
▽-0	3 PLACES ±---	±---	CHECKED BY	DATE	MATERIAL NO. SEE CHART	DOCUMENT NO. SD-31110-003
	2 PLACES ±0.13	±---	APPROVED BY		SHEET NO. 1 OF 3	
	1 PLACE ±0.25	±---	DRAFT WHERE APPLICABLE MUST REMAIN WITHIN DIMENSIONS		THIS DRAWING CONTAINS INFORMATION THAT IS PROPRIETARY TO MOLEX INCORPORATED AND SHOULD NOT BE USED WITHOUT WRITTEN PERMISSION	
	ANGULAR ± 1/2°					

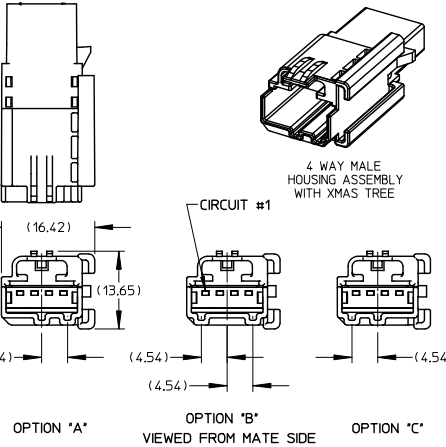
3 WAY MALE HOUSING ASSEMBLY WITH XMAS TREE (VIEWED FROM MATE SIDE)



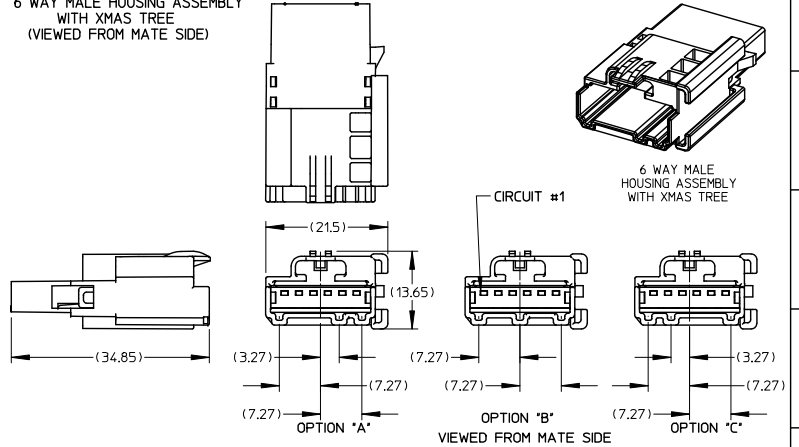
5 WAY MALE HOUSING ASSEMBLY WITH XMAS TREE (VIEWED FROM MATE SIDE)



4 WAY MALE HOUSING ASSEMBLY WITH XMAS TREE (VIEWED FROM MATE SIDE)



6 WAY MALE HOUSING ASSEMBLY WITH XMAS TREE (VIEWED FROM MATE SIDE)



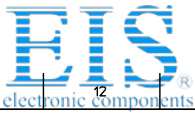
EC NO: UAU2009-1155
DRAWN: THEREFURT009/05/12
CHKD: TSMITH 2009/05/14
APPR: TANGELLO0209/05/14

QUALITY SYMBOLS	DESCRIPTION
▽-0	
▽-0	

GENERAL TOLERANCES (UNLESS SPECIFIED)	
4 PLACES	± 0.13
3 PLACES	± 0.25
2 PLACES	± 0.38
1 PLACE	± 0.51
ANGULAR ±1/2°	
DRAFT WHERE APPLICABLE	
MUST REMAIN WITHIN DIMENSIONS	

SCALE 2:1	DESIGN UNITS METRIC
DIMENSION STYLE MM ONLY	
DRAWN BY DEMEO	DATE 01/04/04
CHECKED BY	DATE
APPROVED BY	DATE

THIRD ANGLE PROJECTION	REVISE ON CAD ONLY
TITLE MALE ASSEMBLY CHARTED SALES DRAWING	
MOLEX MOLEX INCORPORATED	
MATERIAL NO.	DOCUMENT NO. ENTER-PART SD-31110-003
SHEET NO. 2 OF 3	



13 12 11 10 9 8 7 6 5 4 3 2 31110

BILL OF MATERIALS

BILL OF MATERIALS

ASSEMBLY PART NUMBER	DESCRIPTION	XMAS TREE ATTACHMENT FEATURE	PART NUMBER	DESCRIPTION	COLOR
31067-1040	3 WAY MALE ASSEMBLY POLARIZATION 'A'	NO	31112-0030	MALE HOUSING	BLACK
			31114-0030	TPA	NATURAL (WHITE)
31067-1041	3 WAY MALE ASSEMBLY POLARIZATION 'B'	NO	31112-0031	MALE HOUSING	GRAY
			31114-0030	TPA	NATURAL (WHITE)
31067-1042	3 WAY MALE ASSEMBLY POLARIZATION 'C'	NO	31112-0032	MALE HOUSING	BROWN
			31114-0030	TPA	NATURAL (WHITE)
31067-1070	3 WAY MALE ASSEMBLY POLARIZATION 'A'	YES	31112-1030	MALE HOUSING	BLACK
			31114-0030	TPA	NATURAL (WHITE)
31067-1071	3 WAY MALE ASSEMBLY POLARIZATION 'B'	YES	31112-1031	MALE HOUSING	GRAY
			31114-0030	TPA	NATURAL (WHITE)
31067-1072	3 WAY MALE ASSEMBLY POLARIZATION 'C'	YES	31112-1032	MALE HOUSING	BROWN
			31114-0030	TPA	NATURAL (WHITE)
31068-1040	4 WAY MALE ASSEMBLY POLARIZATION 'A'	NO	31166-0040	MALE HOUSING	BLACK
			31167-0040	TPA	NATURAL (WHITE)
31068-1041	4 WAY MALE ASSEMBLY POLARIZATION 'B'	NO	31166-0031	MALE HOUSING	GRAY
			31167-0040	TPA	NATURAL (WHITE)
31068-1042	4 WAY MALE ASSEMBLY POLARIZATION 'C'	NO	31166-0032	MALE HOUSING	BROWN
			31167-0040	TPA	NATURAL (WHITE)
31068-1070	4 WAY MALE ASSEMBLY POLARIZATION 'A'	YES	31166-1040	MALE HOUSING	BLACK
			31167-0040	TPA	NATURAL (WHITE)
31068-1071	4 WAY MALE ASSEMBLY POLARIZATION 'B'	YES	31166-1041	MALE HOUSING	GRAY
			31167-0040	TPA	NATURAL (WHITE)
31068-1072	4 WAY MALE ASSEMBLY POLARIZATION 'C'	YES	31166-1042	MALE HOUSING	BROWN
			31167-0040	TPA	NATURAL (WHITE)

ASSEMBLY PART NUMBER	DESCRIPTION	XMAS TREE ATTACHMENT FEATURE	PART NUMBER	DESCRIPTION	COLOR
31072-1040	5 WAY MALE ASSEMBLY POLARIZATION 'A'	NO	31169-0050	MALE HOUSING	BLACK
			31170-0050	TPA	NATURAL (WHITE)
31072-1041	5 WAY MALE ASSEMBLY POLARIZATION 'B'	NO	31169-0051	MALE HOUSING	GRAY
			31170-0050	TPA	NATURAL (WHITE)
31072-1042	5 WAY MALE ASSEMBLY POLARIZATION 'C'	NO	31169-0052	MALE HOUSING	BROWN
			31170-0050	TPA	NATURAL (WHITE)
31072-1070	5 WAY MALE ASSEMBLY POLARIZATION 'A'	YES	31169-1050	MALE HOUSING	BLACK
			31170-0050	TPA	NATURAL (WHITE)
31072-1071	5 WAY MALE ASSEMBLY POLARIZATION 'B'	YES	31169-1051	MALE HOUSING	GRAY
			31170-0050	TPA	NATURAL (WHITE)
31072-1072	5 WAY MALE ASSEMBLY POLARIZATION 'C'	YES	31169-1052	MALE HOUSING	BROWN
			31170-0050	TPA	NATURAL (WHITE)
31073-1040	6 WAY MALE ASSEMBLY POLARIZATION 'A'	NO	31172-0060	MALE HOUSING	BLACK
			31173-0060	TPA	NATURAL (WHITE)
31073-1041	6 WAY MALE ASSEMBLY POLARIZATION 'B'	NO	31172-0061	MALE HOUSING	GRAY
			31173-0060	TPA	NATURAL (WHITE)
31073-1042	6 WAY MALE ASSEMBLY POLARIZATION 'C'	NO	31172-0062	MALE HOUSING	BROWN
			31173-0060	TPA	NATURAL (WHITE)
31073-1070	6 WAY MALE ASSEMBLY POLARIZATION 'A'	YES	31172-1060	MALE HOUSING	BLACK
			31173-0060	TPA	NATURAL (WHITE)
31073-1071	6 WAY MALE ASSEMBLY POLARIZATION 'B'	YES	31172-1061	MALE HOUSING	GRAY
			31173-0060	TPA	NATURAL (WHITE)
31073-1072	6 WAY MALE ASSEMBLY POLARIZATION 'C'	YES	31172-1062	MALE HOUSING	BROWN
			31173-0060	TPA	NATURAL (WHITE)

EC NO: HAU2009-1155 DRW: THERFUR09/05/12 CHK: TANGEL009/05/14 APPR: MKNACK 2009/05/14 REV: DESCRIPTION	QUALITY SYMBOLS	GENERAL TOLERANCES (UNLESS SPECIFIED)	SCALE 2:1	DESIGN UNITS METRIC	THIRD ANGLE PROJECTION	REVISE ON CAD ONLY	
	▽-0	4 PLACES ± --- ± ---	mm	DIMENSION STYLE MM ONLY	MALE ASSEMBLY CHARTED SALES DRAWING		
	▽-0	3 PLACES ± --- ± ---	INCH	DRAWN BY DEMEO	DATE 01/04/04	MOLEX INCORPORATED	
		2 PLACES ± 0.13 ± ---		CHECKED BY	DATE	APPROVED BY DATE	
	1 PLACE ± 0.25 ± ---	ANGULAR ± 1/2 °	MATERIAL NO. SEE CHART		DOCUMENT NO. SD-31110-003	SHEET NO. 3 OF 3	
DRAFT WHERE APPLICABLE MUST REMAIN WITHIN DIMENSIONS		THIS DRAWING CONTAINS INFORMATION THAT IS PROPRIETARY TO MOLEX INCORPORATED AND SHOULD NOT BE USED WITHOUT WRITTEN PERMISSION					

1b_frame_C rev. A 11/01/98 12 11 10 9 8 7 6 5 4 3 2 1