

## Excellent Integrated System Limited

Stocking Distributor

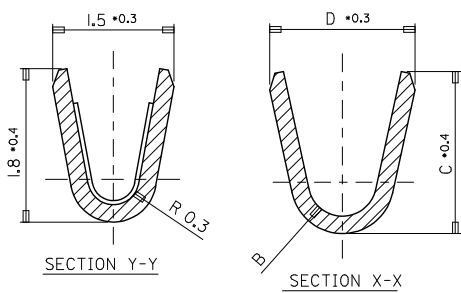
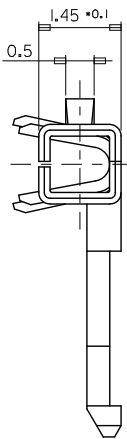
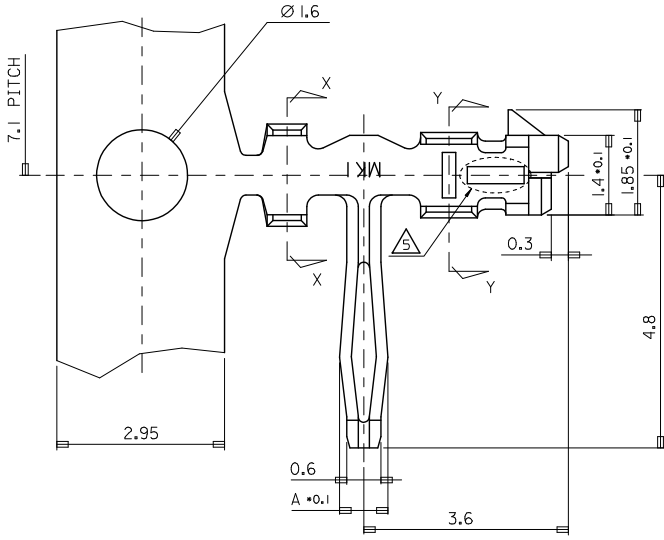
Click to view price, real time Inventory, Delivery & Lifecycle Information:

[Molex Connector Corporation](#)  
[0350211360](#)

For any questions, you can email us directly:

[sales@integrated-circuit.com](mailto:sales@integrated-circuit.com)

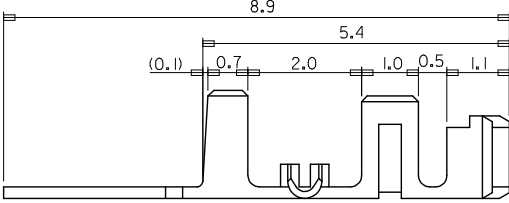
10 9 8 7 6 5 4 3 2 1



- NOTES :
1. MATERIAL:  
1) BRASS.  
2) PHOSPHOR BRONZE.
  2. FINISHES:  
TIN(Sn) THICKNESS = 3.04µm MINIMUM  
NICKEL(Ni) UNDERPLATE THICKNESS= 1-3µm
  3. PRODUCT SPECIFICATION: PS-35021-001
  4. PACKAGING SPECIFICATION: PK-35021-001
  3. MATES WITHUSED HOUSING: 35022-00\*\*/35023-00\*\*/68418-\*\*00
  4. THIS PRODUCT IS LEAD FREE OF 35021-\*\*10
- INDICATION FORMED IN MANUFACTURING IS TO IMPROVE THE DIMENSION AND FUNCTION OF THE PRODUCT. THAT SHOULD BE SEEN OR NOT PER LOT OF STRIP. PLEASE USE IT AS THE REFERENCE.

[TABLE]

POST-PLATED	PHOS. BRON.	AWG #24-#30 (INS. DIA: Ø 1.5 MAX.)	1.8	1.9	R0.4	0.85	350211360	35021-1360
POST-PLATED	PHOS. BRON.	AWG #22-#30 (INS. DIA: Ø 1.9 MAX.)	2.5	2.5	R0.7	1.05	350211160	35021-1160
PLATING	MATERIAL	WIRE RANGE	D	C	B	A	MAT'L NO.	ENG NO.



REVISED EC. NO.: KOR2014-0090 DRAWN:SEHONG03 2014/01/09 CHKD:SIKCHU 2014/01/09 APPR:YSKIM02 2014/01/13	QUALITY SYMBOLS	GENERAL TOLERANCES (UNLESS SPECIFIED)	DIMENSION STYLE	SCALE	DESIGN UNITS	THIRD ANGLE PROJECTION	
	▽=0	mm INCH	MM ONLY	15/1	METRIC	☉ □	
	▽=0	4 PLACES ± --- ± --- 3 PLACES ± --- ± --- 2 PLACES ± 0.30 ± --- 1 PLACE ± 0.30 ± --- 0 PLACE ± --- ± ---	DRAWN BY DATE HSSHIN 2004/09/30	TITLE	R/A B-IN TERMINAL -LEAD FREE-		
	ANGULAR ± 1 °	APPROVED BY DATE CWLEE 2004/09/30	MATERIAL NO.	DOCUMENT NO.	<b>molex</b> SD-35021-002 SHEET NO. 1 OF 1		

LEAD FREE

fb\_frame\_A3\_P\_AM\_T  
Rev. G 2012/01/11

9 8 7 6 5 4 3 2 1

SIZE A3 THIS DRAWING CONTAINS INFORMATION THAT IS PROPRIETARY TO MOLEX INCORPORATED AND SHOULD NOT BE USED WITHOUT WRITTEN PERMISSION