

Excellent Integrated System Limited

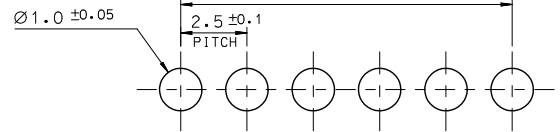
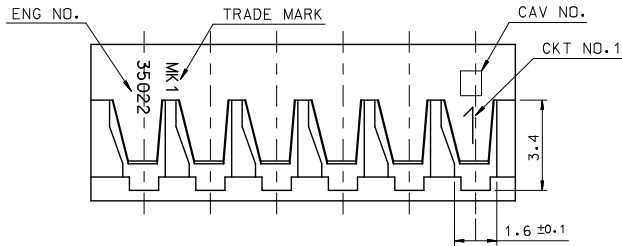
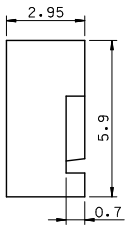
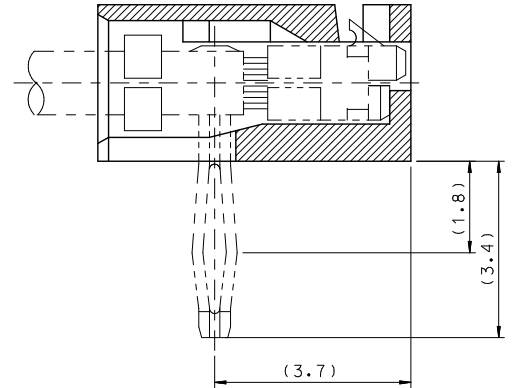
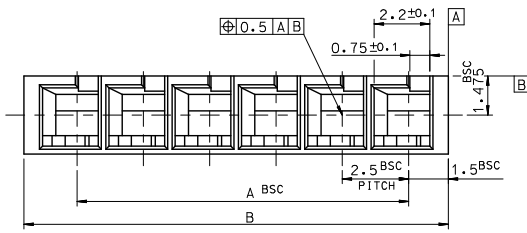
Stocking Distributor

Click to view price, real time Inventory, Delivery & Lifecycle Information:

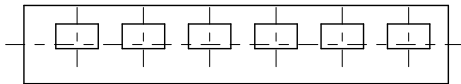
[Molex Connector Corporation](#)
[0350220011](#)

For any questions, you can email us directly:

sales@integrated-circuit.com



P.C. BOARD LAY OUT
(THK.: 1.6+)



				23.5	20.0		-0009	9
41.0	37.5	35022-0016	16	21.0	17.5		-0008	8
38.5	35.0	-0015	15	18.5	15.0		-0007	7
36.0	32.5	-0014	14	16.0	12.5		-0006	6
33.5	30.0	-0013	13	13.5	10.0		-0005	5
31.0	27.5	-0012	12	11.0	7.5		-0004	4
28.5	25.0	-0011	11	8.5	5.0		-0003	3
26.0	22.5	-0010	10	6.0	2.5	35022-0002		2

NOTE.

- MATERIAL : ① PA66,UL94V-0
COLOR : IVORY
- APPLICABLE TERMINAL : 35021-1001/1101

REVISED	EC. NO. KOR2011-0061	2010/12/28
	DRAWN: HPR/K01	2010/12/28
	CHKD: SKCHU	2010/12/28
	APPR: TUNSIKKIM	2010/12/28

QUALITY SYMBOLS	DESCRIPTION
▽=0	
▽=0	

GENERAL TOLERANCES (UNLESS SPECIFIED)	
	mm INCH
4 PLACES	± --- ± ---
3 PLACES	± --- ± ---
2 PLACES	± --- ± ---
1 PLACE	± 0.30 ± ---
ANGULAR ± 1 °	
DRAFT WHERE APPLICABLE MUST REMAIN WITHIN DIMENSIONS	

DIMENSION STYLE		SCALE	DESIGN UNITS	THIRD ANGLE PROJECTION
MM ONLY		7:1	METRIC	⊙ □
DRAWN BY	DATE	TITLE		
HS.SHIN		2.5MM R/A B-IN CONNECTOR HOUSING		
CHECKED BY	DATE			
APPROVED BY	DATE	MOLEX INCORPORATED		
MATERIAL NO.	DOCUMENT NO.	SD-35022-00**		
SIZE	THIS DRAWING CONTAINS INFORMATION THAT IS PROPRIETARY TO MOLEX INCORPORATED AND SHOULD NOT BE USED WITHOUT WRITTEN PERMISSION			

B	A	ENG NO.	CKT NO.	B	A	ENG NO.	CKT NO.