

## Excellent Integrated System Limited

Stocking Distributor

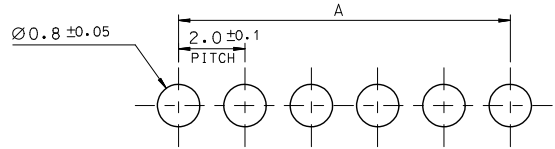
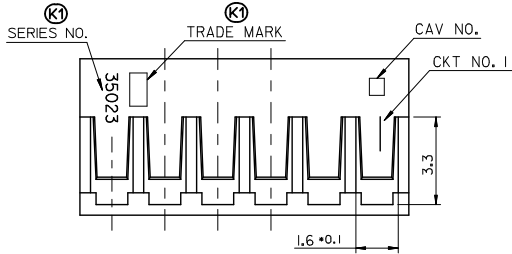
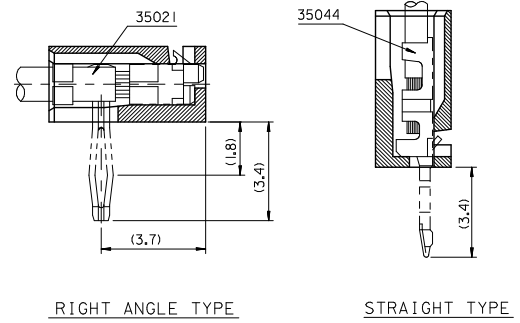
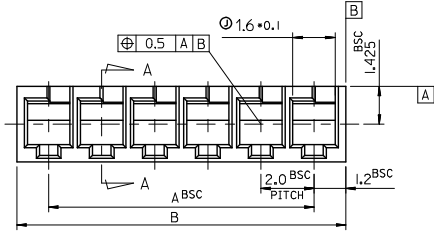
Click to view price, real time Inventory, Delivery & Lifecycle Information:

[Molex Connector Corporation](#)  
[0350230002](#)

For any questions, you can email us directly:

[sales@integrated-circuit.com](mailto:sales@integrated-circuit.com)

10 9 8 7 6 5 4 3 2 1



**(K1)\* LEGEND**  
35023 - 00\*\*

CKT NO.(02,03,04...)

32.4	30.0	35023- 00**	16	18.4	16.0	- 00**	9
30.4	28.0	- 00**	15	16.4	14.0	- 00**	8
28.4	26.0	- 00**	14	14.4	12.0	- 00**	7
26.4	24.0	- 00**	13	12.4	10.0	- 00**	6
24.4	22.0	- 00**	12	10.4	8.0	- 00**	5
22.4	20.0	- 00**	11	8.4	6.0	- 00**	4
20.4	18.0	- 00**	10	6.4	4.0	- 00**	3
B	A	ENG NO.	CKT NO.	B	A	ENG NO.	CKT NO.

**NOTE**

- MATERIAL : POLYAMIDE 66(PA66), UNFILLED, UL94V-0, COLOR: IVORY
- PRODUCT SPECIFICATION : PS-35023-001
- PACKAGING SPECIFICATION : PK-35023-001
- APPLICABLE TERMINAL :  
R/A: 35021-1201/1301/1310/1360  
ST.: 35044-9101/9102/9110/9210  
35044-9160/9260

<b>REVISED</b> EC NO.: KOR2013-0030 DRAWN:SKCHO 2012/09/04 CHKD: YSK/IMJ APPR: YSK/IMJ 2012/09/17 REV DESCRIPTION	QUALITY SYMBOLS	GENERAL TOLERANCES (UNLESS SPECIFIED)	DIMENSION STYLE	SCALE	DESIGN UNITS	THIRD ANGLE PROJECTION
	▽=0	mm INCH	MM ONLY	1/1	METRIC	THIRD ANGLE PROJECTION
	▽=0	4 PLACES ± --- ± ---	DRAWN BY DATE	HS.SHIN 1993/10/26	2.0 PITCH B-IN CONN. HOUSING(S/T)	
		3 PLACES ± --- ± ---	CHECKED BY DATE	JK.OH 1993/10/26	<b>molex</b> SD-35023-001 SHEET NO. 1 OF 1	
	2 PLACES ± 0.2 ± ---	APPROVED BY DATE	CW.LEE 1993/10/26			
	1 PLACE ± 0.3 ± ---	MATERIAL NO.	SEE TABLE	DOCUMENT NO.	THIS DRAWING CONTAINS INFORMATION THAT IS PROPRIETARY TO MOLEX INCORPORATED AND SHOULD NOT BE USED WITHOUT WRITTEN PERMISSION	
	0 PLACE ± ±	ANGULAR ± 1 °	SIZE A3			
		DRAFT WHERE APPLICABLE MUST REMAIN WITHIN DIMENSIONS				

9 8 7 6 5 4 3 2 1