

## Excellent Integrated System Limited

Stocking Distributor

Click to view price, real time Inventory, Delivery & Lifecycle Information:

[Molex Connector Corporation](#)  
[0351820290](#)

For any questions, you can email us directly:

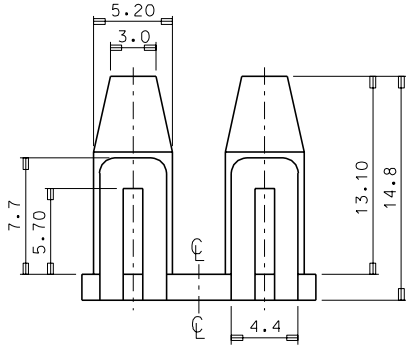
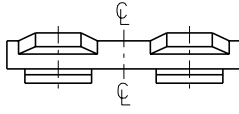
[sales@integrated-circuit.com](mailto:sales@integrated-circuit.com)

ENG. NO.  
SD\_35182-029\*

EDP NO.

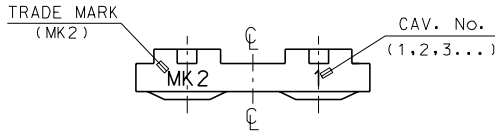
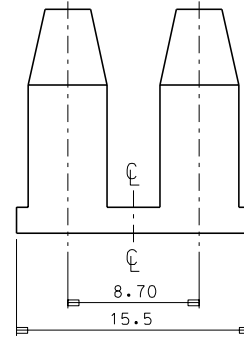
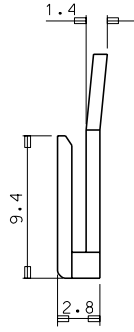
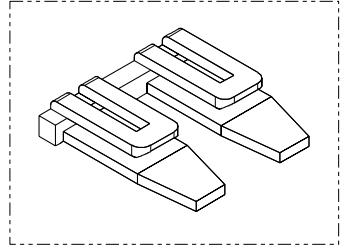
SIMILAR ITEM

PROJECT NO.  
.070 MULTI CONN.



NOTES

1. MATERIAL : NYLON 66 (UL94V-2)
2. COLOR : 35182-0290 (NATURAL)  
35182-0292 (RED)  
35182-0293 (YELLOW)  
35182-0294 (BLUE)
3. MATCHED HOUSING : 35180-040\*



		MATERIAL SEE NOTES		molex MOLEX-KOREA CO.,LTD.	
		GENERAL TOLERANCE DIMENSION : $\pm 0.3$ ANGLE : $\pm 1^\circ$		DRAWN BY J. S. KANG	
		DIMENSION CLASSIFICATION ▽ : CRITICAL ▼ : MAJOR ( ) : REFERENCE		CHK'D BY	
A NEW RELEASED		PDR 94-044 95-9-28		APP'D BY	
LTR REVISION RECORD		ECN DATE		SCALE 4/1	
REVISE ONLY ON CAD SYSTEM		ASS'Y PART DESCRIPTION ENG. NO.		TITLE : .070 MULTI MALE HOUSING T.P. A-2P	
		ENG. NO. SD 35182-029*		SHEET 1 of 1 REV A	