

Excellent Integrated System Limited

Stocking Distributor

Click to view price, real time Inventory, Delivery & Lifecycle Information:

[Molex Connector Corporation](#)
[0351820390](#)

For any questions, you can email us directly:

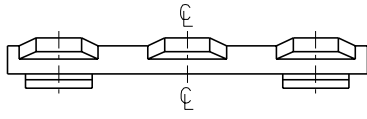
sales@integrated-circuit.com

ENG. NO. SD 35182-039*

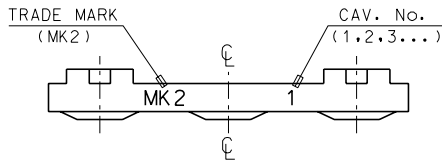
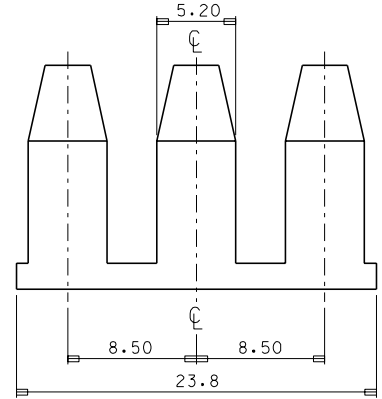
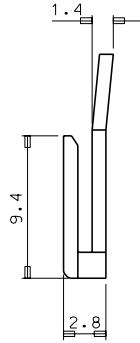
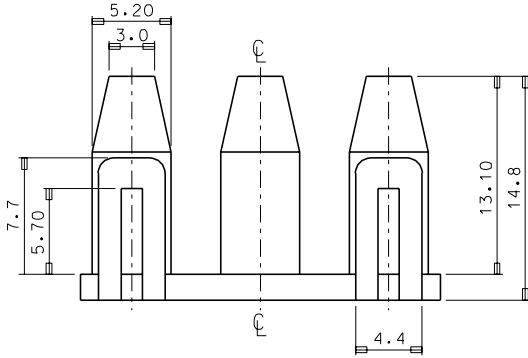
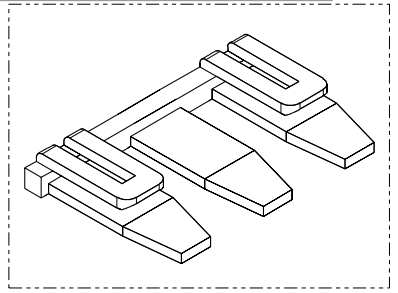
EDP NO.

SIMILAR ITEM

PROJECT NO. .070 MULTI CONN



- NOTES
1. MATERIAL : NYLON 66 (UL94V-2)
 2. COLOR : 35182-0390 (NATURAL)
35182-0392 (RED)
35182-0393 (YELLOW)
35182-0394 (BLUE)
 3. MATCHED HOUSING : 35180-0600



		MATERIAL SEE NOTES		molex MOLEX-KOREA CO.,LTD.	
		GENERAL TOLERANCE DIMENSION : ±0.3 ANGLE : ±1°		DRAWN BY J.S.KANG CHK'D BY	
		DIMENSION CLASSIFICATION ▽ : CRITICAL ▼ : MAJOR () : REFERENCE		APP'D BY SCALE 4/1	
A	NEW RELEASED	PDR 94-041	95-9-28	TITLE: .070 MULTI FEMALE HOUSING T.P.A-3P	
LTR	REVISION RECORD	ECN	DATE	ASS'Y PART DESCRIPTION ENG. NO.	SHEET 1 of 1
REVISE ONLY ON CAD SYSTEM			---	---	REV A
				ENG. NO. SD 35182-039*	REV A