

## Excellent Integrated System Limited

Stocking Distributor

Click to view price, real time Inventory, Delivery & Lifecycle Information:

[Molex Connector Corporation](#)  
[0351890200](#)

For any questions, you can email us directly:

[sales@integrated-circuit.com](mailto:sales@integrated-circuit.com)

10 9 8 7 6 5 4 3 2 1

F

E

D

C

B

A

F

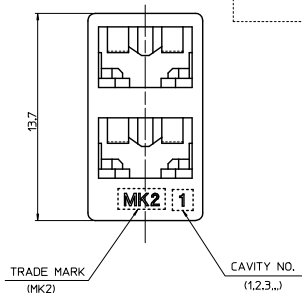
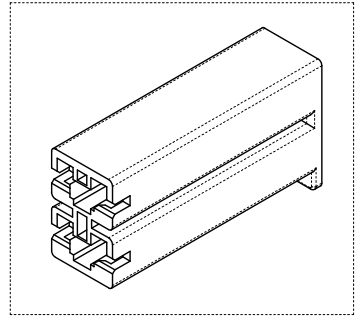
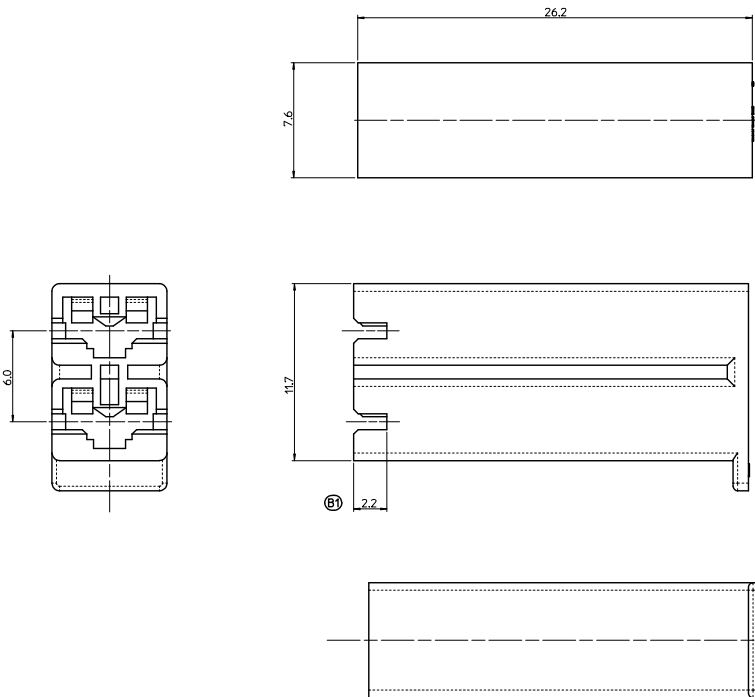
E

D

C

B

A



NOTES  
① 1. MATERIAL : POLYAMIDE66, NO GLASS FILLED, UL94V-2.

NO.	MATERIAL NO.	PART NO.	COLOR
1.	351890200	35189-0200	NATURAL
2.	351890202	35189-0202	RED
3.	351890203	35189-0203	YELLOW
4.	351890204	35189-0204	BLUE

2. APPLICABLE TERMINAL : 35068-9\*\*2

REVISED IEC NO.: KOR2015-0096 DRWNS: SCHONG03 2014/06/09 CHKCD: SHCHU 2014/06/09 APPR: REV: B1	QUALITY SYMBOLS ▽=0 ▽=0	GENERAL TOLERANCES (UNLESS SPECIFIED)		DIMENSION STYLE MM ONLY		SCALE 5:1	DESIGN UNITS METRIC	THIRD ANGLE PROJECTION	
		4 PLACES ± --- ± ---	3 PLACES ± --- ± ---	2 PLACES ± --- ± ---	1 PLACE ± 0.3 ± ---	0 PLACE ± --- ± ---	DRAWN BY SCHONG03	DATE 2014/06/09	TITLE .187 MP-LOCK HOUSING -2P (6.0MM PITCH)
		ANGULAR ± 1°		DRAFT WHERE APPLICABLE MUST REMAIN WITHIN DIMENSIONS		CHECKED BY SHCHU	DATE 2014/06/09		
		MATERIAL NO. SEE NOTES		DOCUMENT NO. SD-35189-0200		SHEET NO. 1 OF 1			
THIS DRAWING CONTAINS INFORMATION THAT IS PROPRIETARY TO MOLEX INCORPORATED AND SHOULD NOT BE USED WITHOUT WRITTEN PERMISSION									

9 8 7 6 5 4 3 2 1