

## Excellent Integrated System Limited

Stocking Distributor

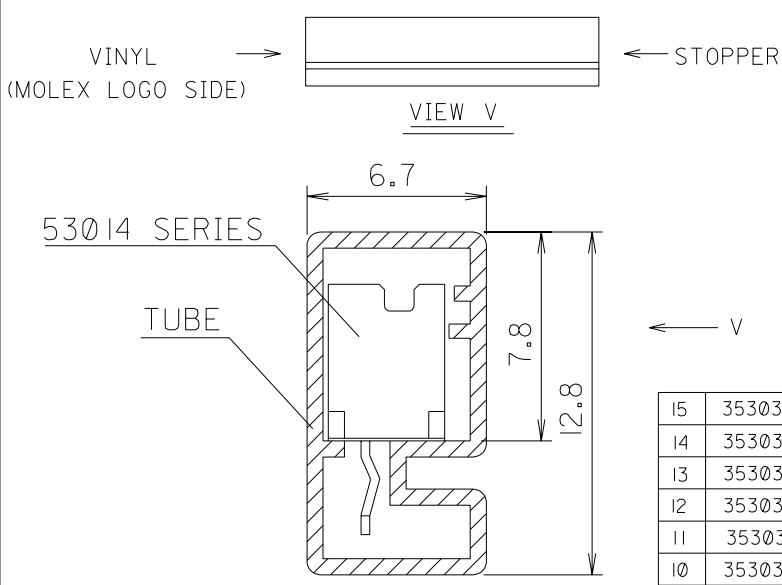
Click to view price, real time Inventory, Delivery & Lifecycle Information:

[Molex Connector Corporation](#)  
[0353030650](#)

For any questions, you can email us directly:

[sales@integrated-circuit.com](mailto:sales@integrated-circuit.com)

PROJECT NO. SD-35303-001  
DWG. NO. SD-35303-001  
SIMILAR ITEM



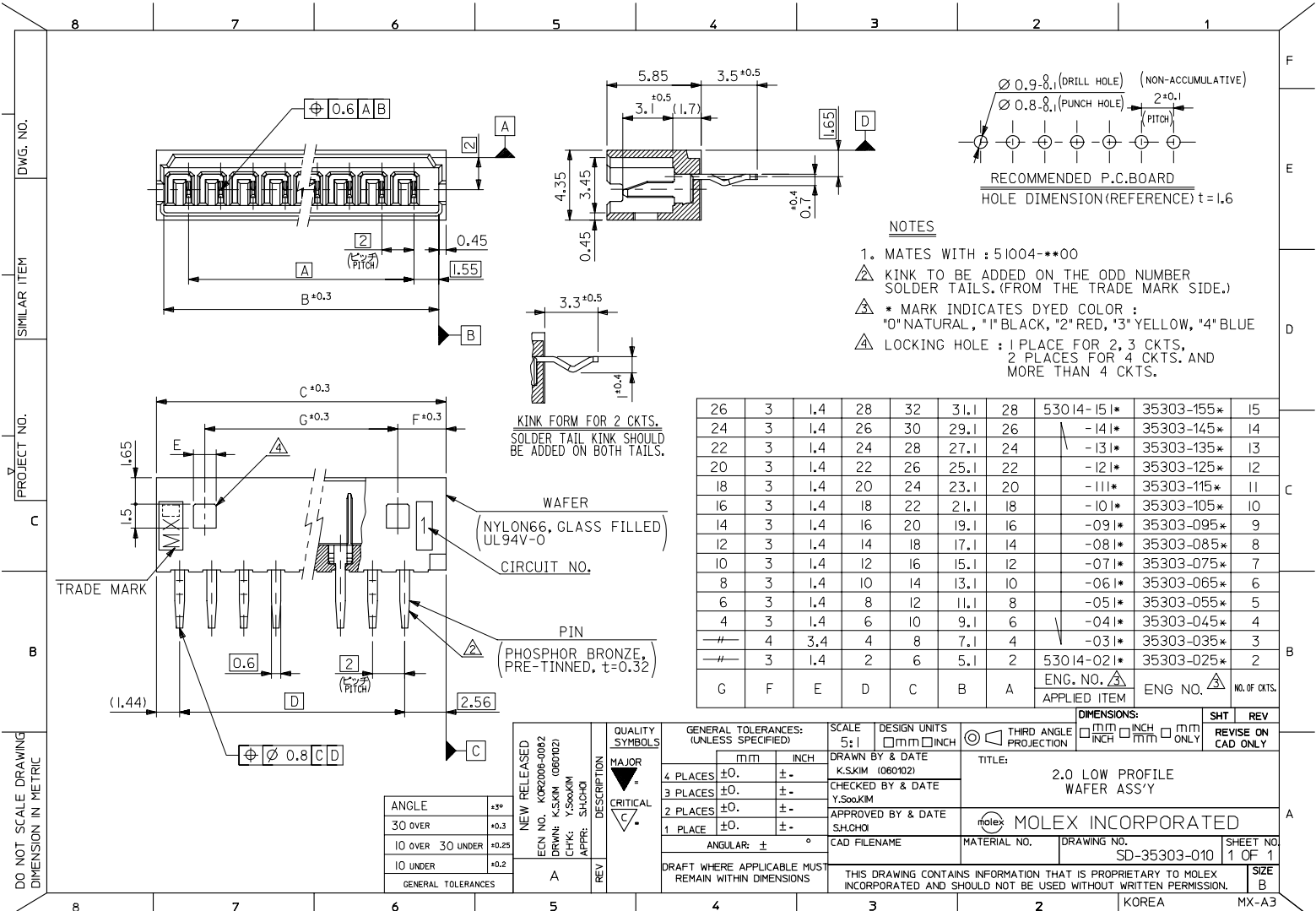
NOTES  
1. TUBE : STOPPER & VINYL LOCKING TYPE  
2. THICKNESS : 0.6+  
3. LENGTH : 550mm

LEGEND 35303-\*\* 5 \*  
COLOR : 0 --- NATURAL  
1 --- BLACK  
2 --- RED  
3 --- YELLOW  
4 --- BLUE  
CKT (02, 03, 04, ...)

15	35303155*	35303-155*	8	35303085*	35303-085*	53014 SERIES	
14	35303145*	-145*	7	35303075*	-075*		
13	35303135*	-135*	6	35303065*	-065*		
12	35303125*	-125*	5	35303055*	-055*		
11	35303115*	-115*	4	35303045*	-045*		
10	35303105*	-105*	3	35303035*	-035*		
9	35303095*	35303-095*	2	35303025*	35303-025*		
CKTS	MAT'L NO.	ENG NO.	CKTS	MAT'L NO.	ENG NO.		USED ON

NEW RELEASED EC NO. KOR2004-0124 DRWN: K.S.KIM (040324) CHK: J.K.OH APPR: C.W.LEE	QUALITY SYMBOLS MAJOR = CRITICAL =	GENERAL TOLERANCES: (UNLESS SPECIFIED)		SCALE NONE	DESIGN UNITS <input checked="" type="checkbox"/> mm <input type="checkbox"/> INCH	THIRD ANGLE PROJECTION	DIMENSIONS: <input type="checkbox"/> mm <input type="checkbox"/> INCH <input checked="" type="checkbox"/> mm ONLY		SHT	REV	
		4 PLACES	±0.	±.	DRAWN BY & DATE H.S.SHIN (910220)		TITLE: TUBE PACKAGED FOR 53014 SERIES  MOLEX INCORPORATED KOREA				
		3 PLACES	±0.	±.	CHECKED BY & DATE J.K.OH						
		2 PLACES	±0.	±.	APPROVED BY & DATE C.W.LEE		MATERIAL NO. SEE TABLE	DRAWING NO. SD-35303-001	SHEET NO. 1 OF 1		
		1 PLACE	±0.	±.	CAD FILENAME SD-35303-001		THIS DRAWING CONTAINS INFORMATION THAT IS PROPRIETARY TO MOLEX INCORPORATED AND SHOULD NOT BE USED WITHOUT WRITTEN PERMISSION.		SIZE A		
ANGULAR: ± °		DRAFT WHERE APPLICABLE MUST REMAIN WITHIN DIMENSIONS									

5 4 3 2 1 OF 1 MX-A4



26	3	1.4	28	32	31.1	28	53014-151*	35303-155*	15
24	3	1.4	26	30	29.1	26	-141*	35303-145*	14
22	3	1.4	24	28	27.1	24	-131*	35303-135*	13
20	3	1.4	22	26	25.1	22	-121*	35303-125*	12
18	3	1.4	20	24	23.1	20	-111*	35303-115*	11
16	3	1.4	18	22	21.1	18	-101*	35303-105*	10
14	3	1.4	16	20	19.1	16	-091*	35303-095*	9
12	3	1.4	14	18	17.1	14	-081*	35303-085*	8
10	3	1.4	12	16	15.1	12	-071*	35303-075*	7
8	3	1.4	10	14	13.1	10	-061*	35303-065*	6
6	3	1.4	8	12	11.1	8	-051*	35303-055*	5
4	3	1.4	6	10	9.1	6	-041*	35303-045*	4
---	4	3.4	4	8	7.1	4	-031*	35303-035*	3
---	3	1.4	2	6	5.1	2	53014-021*	35303-025*	2
G	F	E	D	C	B	A	53014-021*	35303-025*	2

ANGLE	$\pm 3^\circ$
30 OVER	$\pm 0.3$
10 OVER 30 UNDER	$\pm 0.25$
10 UNDER	$\pm 0.2$
GENERAL TOLERANCES	

NEW RELEASED  
 ECN NO. K0R2006-0082  
 DRWN: K.S.KIM (060102)  
 CHK: Y.SooKIM  
 APPR: SH.CHOI

QUALITY SYMBOLS  
 MAJOR  
 CRITICAL

DESCRIPTION  
 REV

APPLIED ITEM  
 ENG. NO.  
 NO. OF CKTS.