

Excellent Integrated System Limited

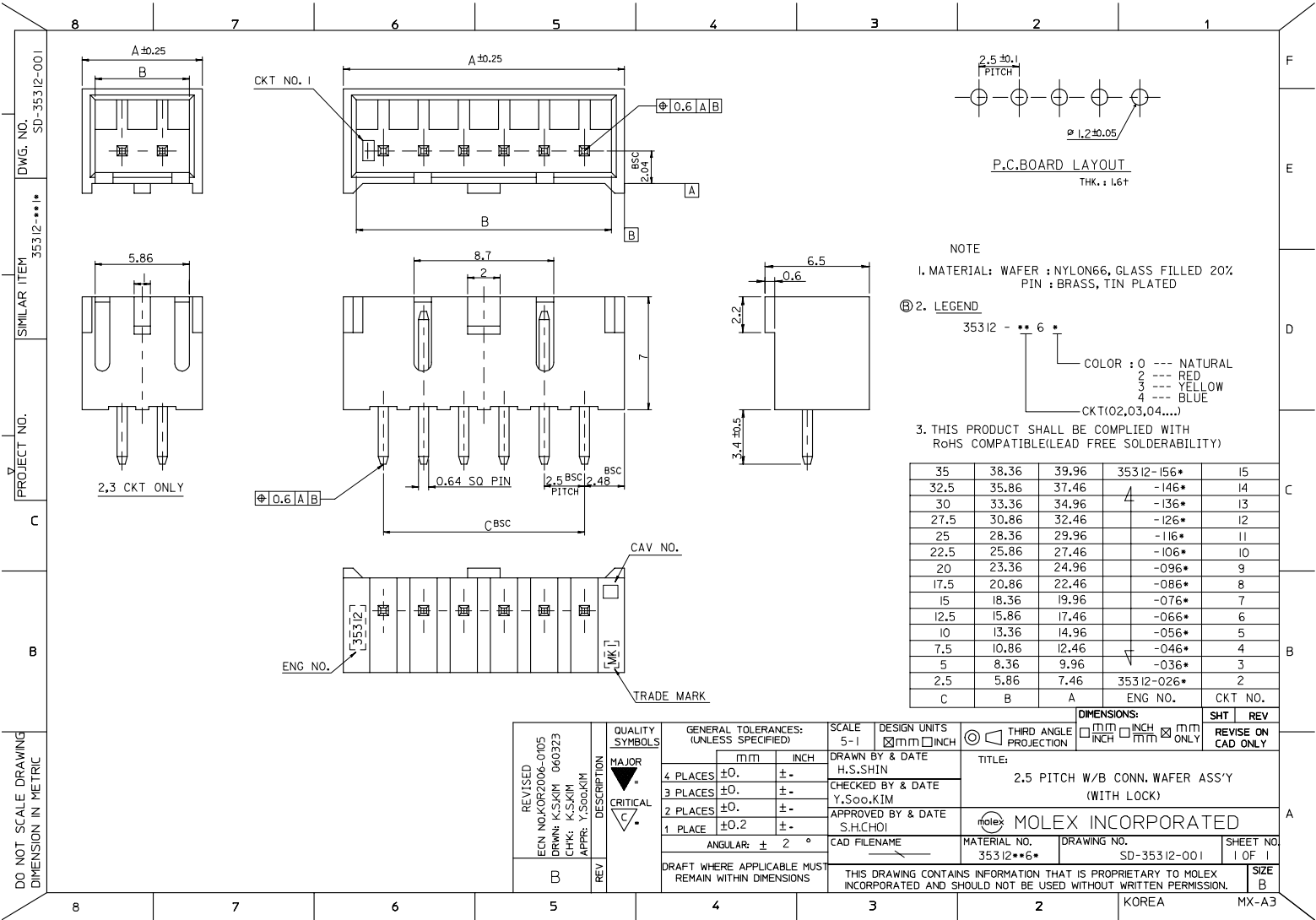
Stocking Distributor

Click to view price, real time Inventory, Delivery & Lifecycle Information:

[Molex Connector Corporation](#)
[0353121060](#)

For any questions, you can email us directly:

sales@integrated-circuit.com



NOTE
1. MATERIAL: WAFER : NYLON66, GLASS FILLED 20%
PIN : BRASS, TIN PLATED

②. LEGEND
35312 - ** 6 *

COLOR : 0 --- NATURAL
1 --- RED
2 --- YELLOW
3 --- BLUE
4 --- BLUE
CKT(02,03,04,...)

3. THIS PRODUCT SHALL BE COMPLIED WITH
RoHS COMPATIBLE(LEAD FREE SOLDERABILITY)

35	38.36	39.96	35312-156*	15
32.5	35.86	37.46	-146*	14
30	33.36	34.96	-136*	13
27.5	30.86	32.46	-126*	12
25	28.36	29.96	-116*	11
22.5	25.86	27.46	-106*	10
20	23.36	24.96	-096*	9
17.5	20.86	22.46	-086*	8
15	18.36	19.96	-076*	7
12.5	15.86	17.46	-066*	6
10	13.36	14.96	-056*	5
7.5	10.86	12.46	-046*	4
5	8.36	9.96	-036*	3
2.5	5.86	7.46	35312-026*	2
C	B	A	ENG. NO.	CKT. NO.

DO NOT SCALE DRAWING DIMENSION IN METRIC

PROJECT NO. 35312-**-**1*

SIMILAR ITEM SD-35312-001

DWG. NO. SD-35312-001

REVISED ECN NO. KOR2006-0105 DRWN: K.S.KIM 060323 CHK: K.S.KIM APPR: Y.SOOKIM	QUALITY SYMBOLS MAJOR CRITICAL	GENERAL TOLERANCES: (UNLESS SPECIFIED)		SCALE 5-1	DESIGN UNITS <input checked="" type="checkbox"/> mm <input type="checkbox"/> INCH	THIRD ANGLE PROJECTION <input checked="" type="checkbox"/> <input type="checkbox"/>	DIMENSIONS: <input type="checkbox"/> mm <input type="checkbox"/> INCH <input checked="" type="checkbox"/> mm ONLY	SHT	REV	
		4 PLACES ±0.	±		DRAWN BY & DATE H.S.SHIN	TITLE: 2.5 PITCH W/B CONN. WAFER ASS'Y (WITH LOCK)				
		3 PLACES ±0.	±		CHECKED BY & DATE Y.Soo.KIM	MOLEX INCORPORATED				
		2 PLACES ±0.	±		APPROVED BY & DATE S.H[CHD]	CAD FILENAME	MATERIAL NO. 35312**6*	DRAWING NO. SD-35312-001	SHEET NO. 1 OF 1	SIZE B
1 PLACE ±0.2	±		ANGULAR: ± 2 °	THIS DRAWING CONTAINS INFORMATION THAT IS PROPRIETARY TO MOLEX INCORPORATED AND SHOULD NOT BE USED WITHOUT WRITTEN PERMISSION.					KOREA	MX-A3
DRAFT WHERE APPLICABLE MUST REMAIN WITHIN DIMENSIONS										

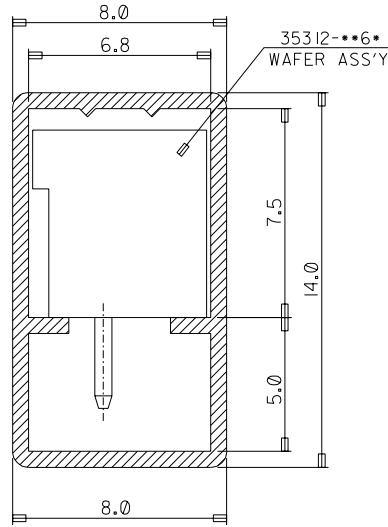
PROJECT NO.
DWG. NO. SD-35312-004

SIMILAR ITEM
35312-***18

PROJECT NO.

NOTE

1. TUBE THK. : 0.6+
2. LENGTH : 600mm
3. THIS PRODUCT SHALL BE COMPLIED WITH RoHS COMPATIBLE (LEAD FREE SOLDERABILITY)



10	35312-1568	15P	35312 SERIES
15	-0468	14P	
15	-1468	13P	
15	-1268	12P	
15	-1168	11P	
20	-1068	10P	
20	-0968	9P	
25	-0868	8P	
25	-0768	7P	
30	-0668	6P	
35	-0568	5P	
45	-0468	4P	
55	35312-0368	3P	
Q'TY	ENG NO.	CKT.	USED ON

NEW RELEASED EC NO. KOR2005-0066 DRWN: K.S.KIM 040722 CHK: Y.Soo.KIM APPR: C.W.LEE	QUALITY SYMBOLS MAJOR CRITICAL	GENERAL TOLERANCES: (UNLESS SPECIFIED)		SCALE 5-1	DESIGN UNITS <input checked="" type="checkbox"/> mm <input type="checkbox"/> INCH	THIRD ANGLE PROJECTION	DIMENSIONS: <input type="checkbox"/> mm <input type="checkbox"/> INCH <input checked="" type="checkbox"/> mm ONLY		SHT	REV	
		4 PLACES	±0.	±.	DRAWN BY & DATE K.S.KIM		TITLE: PACKING FOR 35312 (S/S C-TV) MOLEX INCORPORATED				
		3 PLACES	±0.	±.	CHECKED BY & DATE Y.Soo.KIM						
		2 PLACES	±0.	±.	APPROVED BY & DATE C.W.LEE						
1 PLACE	±0.3	±.	ANGULAR: ± 2 °		CAD FILENAME	MATERIAL NO. 35312-***68	DRAWING NO. SD-35312-004	SHEET NO. 1/1			
REV	DESCRIPTION	DRAFT WHERE APPLICABLE MUST REMAIN WITHIN DIMENSIONS			THIS DRAWING CONTAINS INFORMATION THAT IS PROPRIETARY TO MOLEX INCORPORATED AND SHOULD NOT BE USED WITHOUT WRITTEN PERMISSION.					SIZE A	

5

4

3

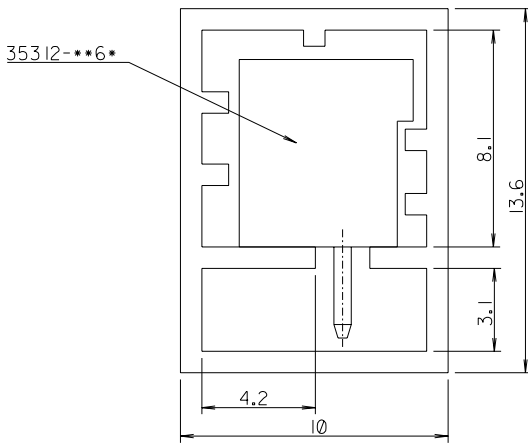
2

MX-A4

PROJECT NO.
DWG. NO. SD-35312-005

SIMILAR ITEM
35312-**-19

PROJECT NO.



NOTE

1. TUBE LENGTH : 550mm
2. TUBE THICKNESS : 0.8mm
3. THIS PRODUCT SHALL BE COMPLIED WITH ROHS COMPATIBLE(LEAD FREE SOLDERABILITY)

10	35312-1569	15	35312 SERIES
10	-1469	14	
10	-1369	13	
15	-1269	12	
15	-1169	11	
15	-1069	10	
20	-0969	9	
20	-0869	8	
25	-0769	7	
30	-0669	6	
35	-0569	5	
40	-0469	4	
50	-0369	3	
70	35312-0269	2	
Q'TY	ENG NO.	CKTS	USED ON

NEW RELEASED EC NO. KOR2005-0066 DRWN: K.S.KIM 041008 CHK: Y.SOO.KIM APPR: C.W.LEE	QUALITY SYMBOLS MAJOR CRITICAL	GENERAL TOLERANCES: (UNLESS SPECIFIED)		SCALE 5-1	DESIGN UNITS <input checked="" type="checkbox"/> mm <input type="checkbox"/> INCH	THIRD ANGLE PROJECTION	DIMENSIONS: <input type="checkbox"/> mm <input type="checkbox"/> INCH <input checked="" type="checkbox"/> mm ONLY		SHT	REV
		4 PLACES	±0.	±.	DRAWN BY & DATE H.S.SHIN		TITLE: TUBE PACKAGED FOR 35312 SERIES			
3 PLACES	±0.	±.	CHECKED BY & DATE Y.SOO.KIM							
2 PLACES	±0.	±.	APPROVED BY & DATE C.W.LEE							
1 PLACE	±0.3	±.	ANGULAR: ± 2 °		CAD FILENAME	MATERIAL NO. 35312**69	DRAWING NO. SD-35312-005	SHEET NO. 1 OF 1	REVISE ON CAD ONLY	
REV	DESCRIPTION	DRAFT WHERE APPLICABLE MUST REMAIN WITHIN DIMENSIONS			THIS DRAWING CONTAINS INFORMATION THAT IS PROPRIETARY TO MOLEX INCORPORATED AND SHOULD NOT BE USED WITHOUT WRITTEN PERMISSION.					SIZE A

PK35312.DGN

MX-A4