

## Excellent Integrated System Limited

Stocking Distributor

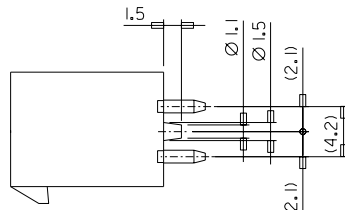
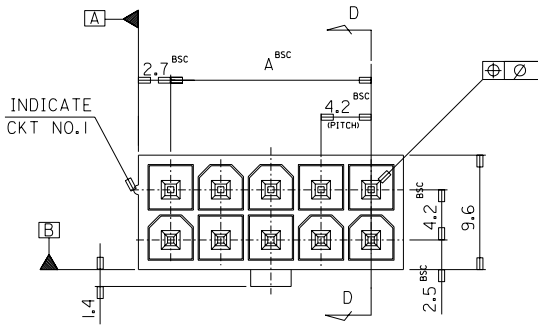
Click to view price, real time Inventory, Delivery & Lifecycle Information:

[Molex Connector Corporation](#)  
[0353170220](#)

For any questions, you can email us directly:

[sales@integrated-circuit.com](mailto:sales@integrated-circuit.com)

SD-35317-001



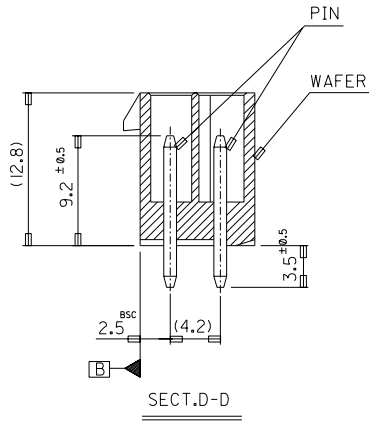
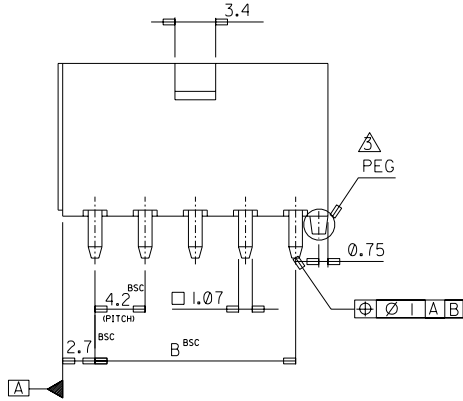
1. WHEN MATED WITH 5557-NR TO BE SURELY LOCKED.
  2. MATERIAL: WAFER - NYLON66 UL94V-0  
NYLON66 UL94V-2  
PIN - BRASS(TIN PLATED)
- △ MOLD PEG IS 35317-\*\*\*3\*, -\*\*4\* ONLY.

LEGEND

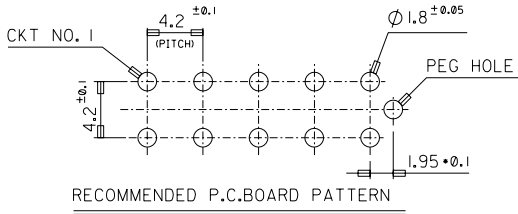
35317 - \*\*\* \* \*  
 COLOR - 0: NATURAL  
 1: BLACK  
 2: RED  
 3: YELLOW  
 4: BLUE  
 6: GREEN  
 7: BROWN

1: NYLON66 UL94V-0  
 2: NYLON66 UL94V-2  
 3: NYLON66 UL94V-0(WITH PEG)  
 4: NYLON66 UL94V-2(WITH PEG)

CKT



46.2	3531724**	35317-24**	24
42.0	3531722**	-22**	22
37.8	3531720**	-20**	20
33.6	3531718**	-18**	18
29.4	3531716**	-16**	16
25.2	3531714**	-14**	14
21.0	3531712**	-12**	12
16.8	3531710**	-10**	10
12.6	3531708**	-08**	8
8.4	3531706**	-06**	6
4.2	3531704**	-04**	4
-	3531702**	35317-02**	2
A	Material No.	ENG. NO.	CIRCUIT



REVISED  
 KOR2003-0259  
 K.S.KIM 2003.5.23  
 J.K.OH  
 C.W.LEE

3:1 X  
 D.J.KIM 1993.05.01  
 J.K.OH  
 C.W.LEE  
 SD35317.DGN

X  
 NEW MINIFIT CONN.  
 WAFER ASS'Y  
 SEE TABLE  
 SD-35317-001  
 I/I

C