

## **Excellent Integrated System Limited**

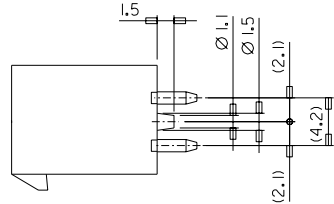
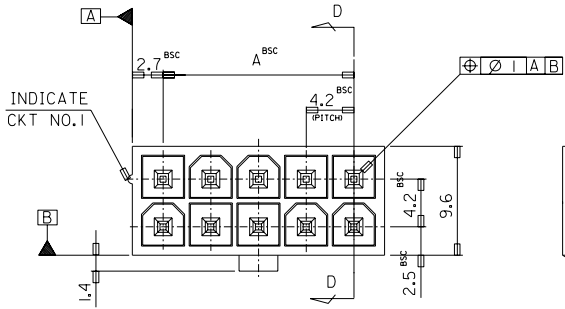
Stocking Distributor

Click to view price, real time Inventory, Delivery & Lifecycle Information:

[Molex Connector Corporation](#)  
[0353171210](#)

For any questions, you can email us directly:  
[sales@integrated-circuit.com](mailto:sales@integrated-circuit.com)

ENG. NO. SD-35317-\*\*\*0  
EDP NO. 35317-\*\*\*0  
PROJECT NO. 35317-\*\*\*0  
SIMILAR ITEM

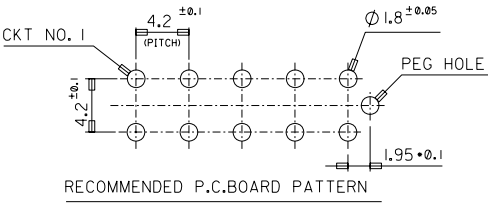
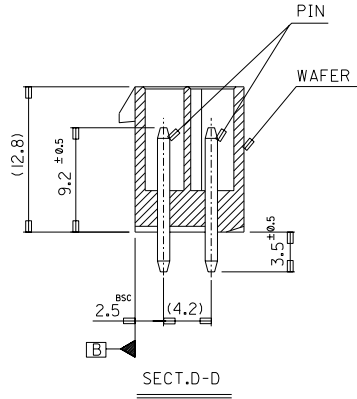
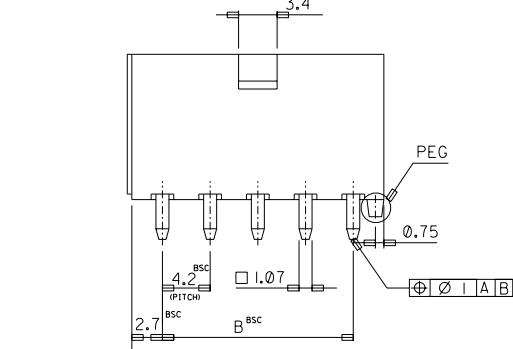


**NOTES**

1. WHEN MATED WITH 5557-NR TO BE SURELY LOCKED.
2. MATERIAL: WAFER - NYLON66 UL94V-0  
NYLON66 UL94V-2  
PIN - BRASS(TIN PLATED)

**LEGEND**

35317 - \*\*\* \* 0  
 1: NYLON66 UL94V-0  
 2: NYLON66 UL94V-2  
 3: NYLON66 UL94V-0, WITH PEG  
 4: NYLON66 UL94V-2, WITH PEG  
 CKT

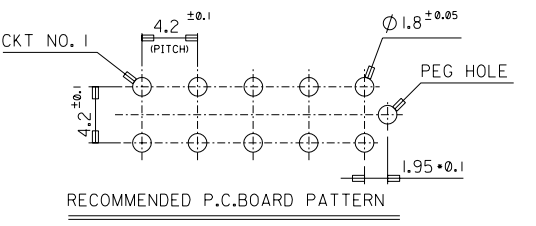
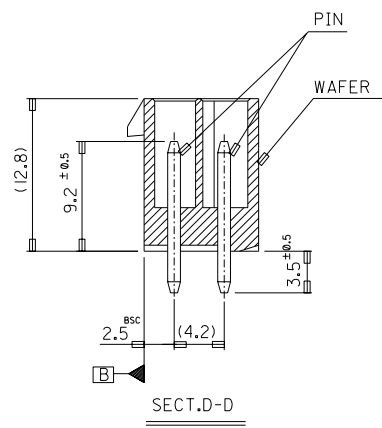
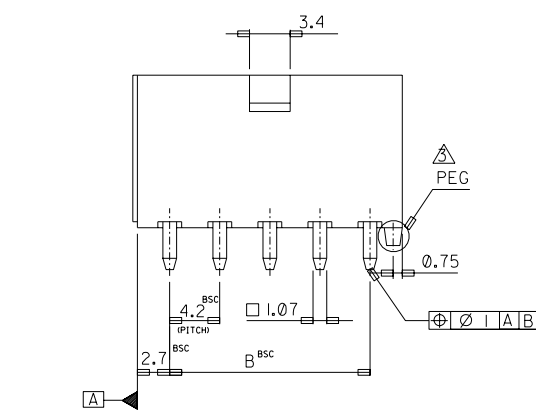
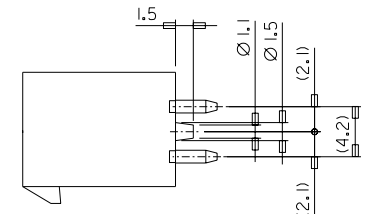
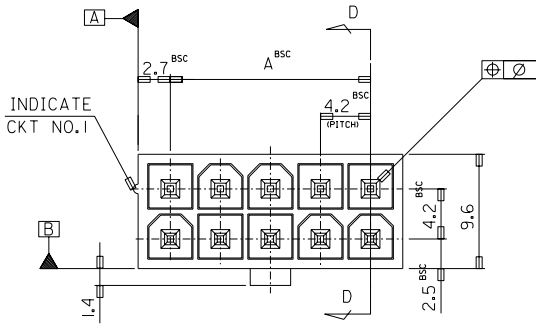


RECOMMENDED P.C. BOARD PATTERN

46.2	46.2	35317 -24*0	24
42.0	42.0	-22*0	22
37.8	37.8	-20*0	20
33.6	33.6	-18*0	18
29.4	29.4	-16*0	16
25.2	25.2	-14*0	14
21.0	21.0	-12*0	12
16.8	16.8	-10*0	10
12.6	12.6	-08*0	8
8.4	8.4	-06*0	6
4.2	4.2	35317 -04*0	4
A	B	ENG. NO.	CIRCUIT

MATERIAL				MOLEX MOLEX-KOREA CO.,LTD.	
B	REVISED	00-071	00/09/18	DRAWN BY D. J. KIM	
A	NEW RELEASED	94-074	94/12/20	CHK'D BY	
2	REVISED	94-054	94/11/14	SCALE 3/1	
1	REVISED	94-017	94/9/7	TITLE: NEW MINI FIT CONN. WAFER ASS'Y	
0	PRE-RELEASED		93/5/1	SHEET	
LTR	REVISION RECORD	ECN	DATE	REV A	
REVISE ONLY ON CAD SYSTEM				ENG. NO. SD-35317-***0	

SD-35317-001



REVISED  
KOR2003-0259  
K.S.KIM 2003.5.23  
J.K.OH  
C.W.LEE

3:1 X  
D.J.KIM 1993.05.01  
J.K.OH  
C.W.LEE

NOTES

1. WHEN MATED WITH 5557-NR TO BE SURELY LOCKED.
  2. MATERIAL: WAFER — NYLON66 UL94V-0  
NYLON66 UL94V-2  
PIN — BRASS(TIN PLATED)
- △ MOLD PEG IS 35317-\*\*3\*, -\*\*4\* ONLY.

LEGEND

35317 - \*\* \* \*  
 COLOR - 0:NATURAL  
 1:BLACK  
 2:RED  
 3:YELLOW  
 4:BLUE  
 6:GREEN  
 7:BROWN

1: NYLON66 UL94V-0  
 2: NYLON66 UL94V-2  
 3: NYLON66 UL94V-0(WITH PEG)  
 4: NYLON66 UL94V-2(WITH PEG)

CKT

46.2	3531724**	35317 -24**	24
42.0	3531722**	-22**	22
37.8	3531720**	-20**	20
33.6	3531718**	-18**	18
29.4	3531716**	-16**	16
25.2	3531714**	-14**	14
21.0	3531712**	-12**	12
16.8	3531710**	-10**	10
12.6	3531708**	-08**	8
8.4	3531706**	-06**	6
4.2	3531704**	-04**	4
—	3531702**	35317 -02**	2
A	MaterialNo.	ENG. NO.	CIRCUIT

NEW MINIFIT CONN.  
WAFER ASS'Y

SD35317.DGN SEE TABLE SD-35317-001 1/1