

Excellent Integrated System Limited

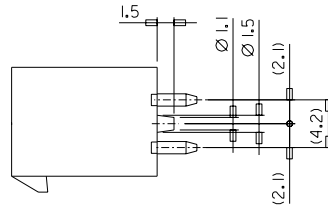
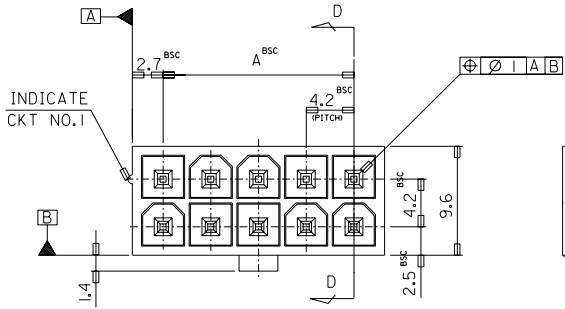
Stocking Distributor

Click to view price, real time Inventory, Delivery & Lifecycle Information:

[Molex Connector Corporation](#)
[0353171220](#)

For any questions, you can email us directly:
sales@integrated-circuit.com

ENG. NO. SD-35317-***0
EDP NO. 35317-***0
PROJECT NO. SIMILAR ITEM

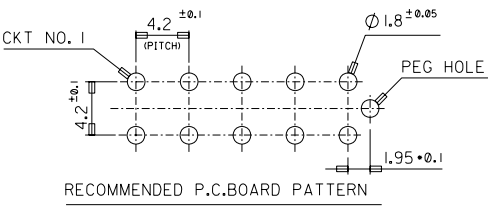
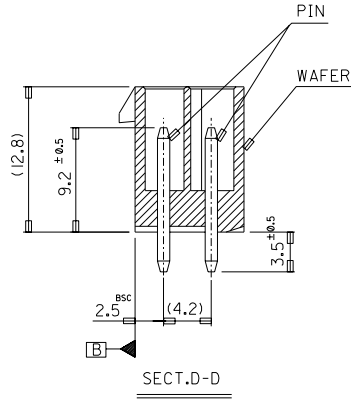
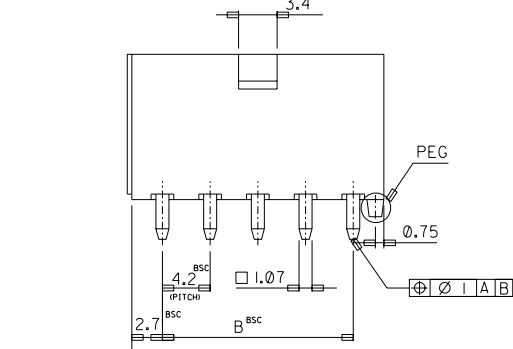


NOTES

1. WHEN MATED WITH 5557-NR TO BE SURELY LOCKED.
2. MATERIAL: WAFER - NYLON66 UL94V-0
NYLON66 UL94V-2
PIN - BRASS(TIN PLATED)

LEGEND

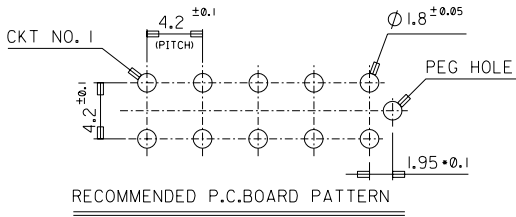
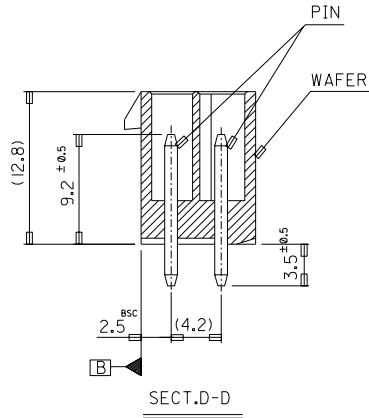
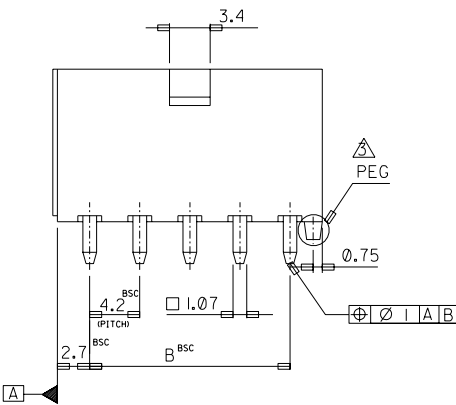
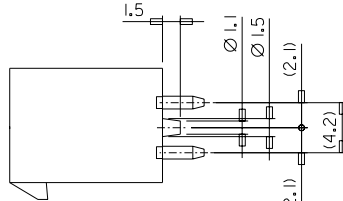
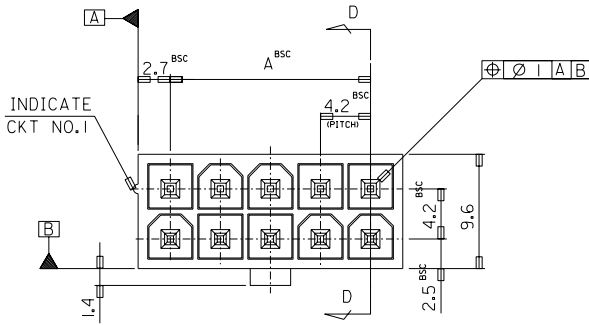
35317 - ** * 0
 1: NYLON66 UL94V-0
 2: NYLON66 UL94V-2
 3: NYLON66 UL94V-0, WITH PEG
 4: NYLON66 UL94V-2, WITH PEG
 CKT



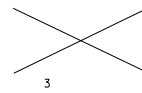
46.2	46.2	35317 -24*0	24
42.0	42.0	1 -22*0	22
37.8	37.8	-20*0	20
33.6	33.6	-18*0	18
29.4	29.4	-16*0	16
25.2	25.2	-14*0	14
21.0	21.0	-12*0	12
16.8	16.8	-10*0	10
12.6	12.6	-08*0	8
8.4	8.4	✓ -06*0	6
4.2	4.2	35317 -04*0	4
A	B	ENG. NO.	CIRCUIT

B		REVISED	00-071	00/09/18	MATERIAL	molex MOLEX-KOREA CO.,LTD.	
A		NEW RELEASED	94-074	94/12/20	GENERAL TOLERANCE	DRAWN BY D. J. KIM	
2		REVISED	94-054	94/11/14	DIMENSION : ± 0.3	CHK'D BY	
1		REVISED	94-017	94/9/7	ANGLE : ± °	SCALE 3/1	
0		PRE-RELEASED		93/5/1	DIMENSION CLASSIFICATION	TITLE: NEW MINI FIT CONN. WAFER ASS'Y	
LTR		REVISION RECORD	ECN	DATE	▽ : CRITICAL ◇ : REFERENCE	SHEET	
		REVISE ONLY ON CAD SYSTEM			ASS'Y PART DESCRIPTION ENG. NO.	REV A	

SD-35317-001



REVISED
KOR2003-0259
K.S.KIM 2003.5.23
J.K.OH
C.W.LEE



NOTES

1. WHEN MATED WITH 5557-NR TO BE SURELY LOCKED.
 2. MATERIAL: WAFER — NYLON66 UL94V-0
NYLON66 UL94V-2
PIN — BRASS(TIN PLATED)
- △ MOLD PEG IS 35317-**3*, -**4* ONLY.

LEGEND

35317 - ** * *
 COLOR - 0:NATURAL
 1:BLACK
 2:RED
 3:YELLOW
 4:BLUE
 6:GREEN
 7:BROWN
 1: NYLON66 UL94V-0
 2: NYLON66 UL94V-2
 3: NYLON66 UL94V-0(WITH PEG)
 4: NYLON66 UL94V-2(WITH PEG)
 CKT

46.2	3531724**	35317 -24**	24
42.0	3531722**	-22**	22
37.8	3531720**	-20**	20
33.6	3531718**	-18**	18
29.4	3531716**	-16**	16
25.2	3531714**	-14**	14
21.0	3531712**	-12**	12
16.8	3531710**	-10**	10
12.6	3531708**	-08**	8
8.4	3531706**	-06**	6
4.2	3531704**	-04**	4
—	3531702**	35317 -02**	2
A	MaterialNo.	ENG. NO.	CIRCUIT

3:1 ×
D.J.KIM 1993.05.01
J.K.OH
C.W.LEE

×
NEW MINIFIT CONN.
WAFER ASS'Y

SD35317.DGN

SEE TABLE

SD-35317-001

1/1

C
