

## Excellent Integrated System Limited

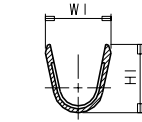
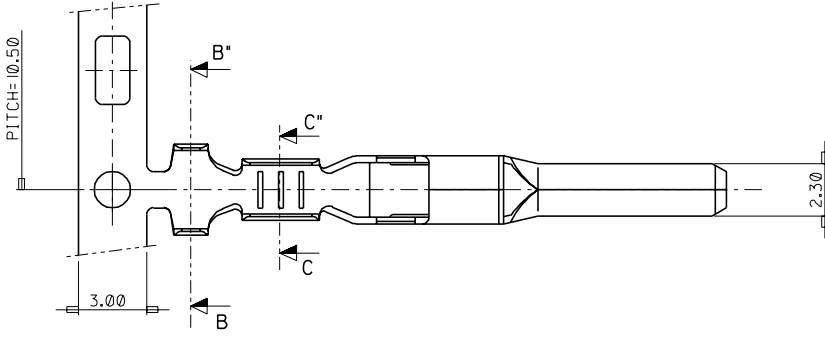
Stocking Distributor

Click to view price, real time Inventory, Delivery & Lifecycle Information:

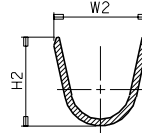
[Molex Connector Corporation](#)  
[0354209902](#)

For any questions, you can email us directly:

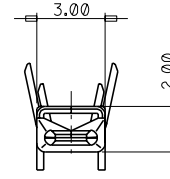
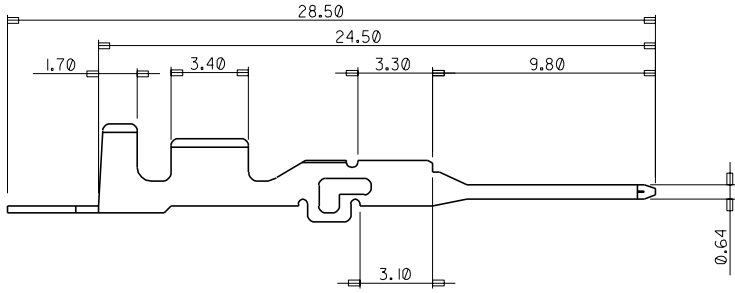
[sales@integrated-circuit.com](mailto:sales@integrated-circuit.com)



SECTION C-C'



SECTION B-B'



NOTES

1. MATERIAL : PRE-TIN PLATED BRASS 0.3t

ENG.NO	DESCRIPTION	DIMENSION				WIRE RANGE mm <sup>2</sup>
		W1	H1	W2	H2	
35420-9702	UNICONN MALE TERMINAL (S)	2.2	2.3	3.7	3.3	AVS(CAVS) 0.3,0.5
35420-9802	UNICONN MALE TERMINAL (M)	2.8	3.0	4.2	4.0	AVS(CAVS) 0.5,0.85,1.25
35420-9902	UNICONN MALE TERMINAL (L)	3.9	4.1	4.9	4.2	AVSS 2f

REVISED EC NO. KOR1598-0072 DRAWN BY: YANG 98/05/08 CHK: APPR:	QUALITY SYMBOLS MAJOR = 0 CRITICAL = 0 C = 0	GENERAL TOLERANCES: (UNLESS SPECIFIED)		SCALE 6:1	DESIGN UNITS <input checked="" type="checkbox"/> mm <input type="checkbox"/> INCH	THIRD ANGLE PROJECTION <input type="checkbox"/> mm <input type="checkbox"/> INCH <input checked="" type="checkbox"/> mm ONLY	SHT REV REVISE ON CAD ONLY	
		4 PLACES ±0. ±. 3 PLACES ±0. ±. 2 PLACES ±0.30 ±. 1 PLACE ±0.30 ±.		DRAWN BY & DATE W.Y.YANG 97/11/17		TITLE: UNICONN MALE TERMINAL		
		ANGULAR ± 5 °		CHECKED BY & DATE B.K.CHOI 97/11/17		MOLEX INCORPORATED KOREA		
		DRAFT WHERE APPLICABLE MUST REMAIN WITHIN DIMENSIONS		APPROVED BY & DATE C.W.LEE 97/11/17		CAD FILENAME S4209702.DGN		MATERIAL NO. SEE TABLE

THIS DRAWING CONTAINS INFORMATION THAT IS PROPRIETARY TO MOLEX INCORPORATED AND SHOULD NOT BE USED WITHOUT WRITTEN PERMISSION.

DO NOT SCALE DRAWING DIMENSION IN METRIC