

## Excellent Integrated System Limited

Stocking Distributor

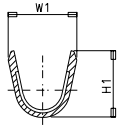
Click to view price, real time Inventory, Delivery & Lifecycle Information:

[Molex Connector Corporation](#)  
[0354216302](#)

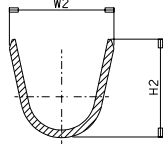
For any questions, you can email us directly:

[sales@integrated-circuit.com](mailto:sales@integrated-circuit.com)

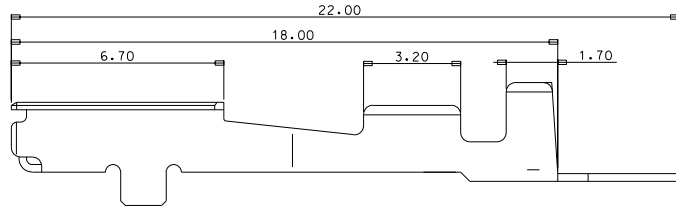
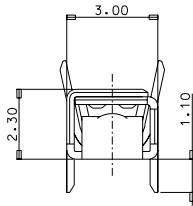
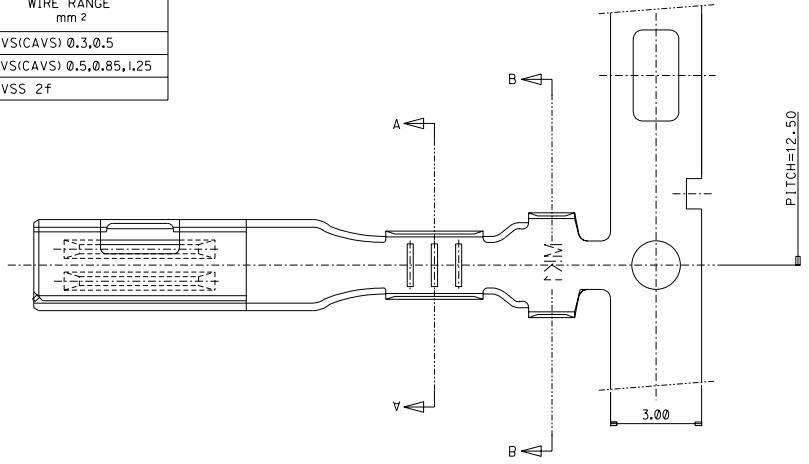
*B* TYPE ENG.NO	DESCRIPTION	DIMENSION				WIRE RANGE mm <sup>2</sup>
		W1	H1	W2	H2	
35421-6102	UNICONN FEMALE TERMINAL (S)	2.1	2.2	3.4	3.25	AVS(CAVS) 0.3,0.5
35421-6202	UNICONN FEMALE TERMINAL (M)	2.6	2.95	4.0	3.8	AVS(CAVS) 0.5,0.85,1.25
35421-6302	UNICONN FEMALE TERMINAL (L)	3.6	4.0	4.3	3.9	AVSS 2f



SECTION A-A



SECTION B-B



NOTES

- MATERIAL: COPPER ALLOY 0.25+/-0.01
- FINISH: PRE-TIN PLATED
- INSERTION-EXTRACTION FORCE WITH TAB TERMINAL P/N 35420.  
INSERTION FORCE : 0.30±L0 Kgf.  
AFTER SIX TIMES OF INSERTION & EXTRACTION FORCE : 0.15±L0 Kgf.

CHANGED TENSION SPEC. EC NO. KOR2002-0090 DRWNS-SAKIM 02/07/08 CHK'S Y.SIK-KIM 02/07/08 APPR.C.W.LEE	QUALITY SYMBOLS MAJOR = 0 CRITICAL = 0	GENERAL TOLERANCES: (UNLESS SPECIFIED)		SCALE 8:1	DESIGN UNITS <input checked="" type="checkbox"/> mm <input type="checkbox"/> INCH	DIMENSIONS: <input type="checkbox"/> mm <input type="checkbox"/> INCH <input checked="" type="checkbox"/> mm ONLY	SHT	REV	
		4 PLACES ±0. ± 3 PLACES ±0. ± 2 PLACES ±0.30 ± 1 PLACE ±0.30 ±	DRAWN BY & DATE W.Y.YANG 97/12/03 CHECKED BY & DATE B.K.CHOI 97/12/03 APPROVED BY & DATE C.W.LEE 97/12/03 CAD FILENAME	TITLE: UNICONN FEMALE TERMINAL					
		ANGLAR ± 1.0 °		MOLEX INCORPORATED		MATERIAL NO. SEETABLE	DRAWING NO. SD-35421-002	SHEET NO. 10F1	
		DRAFT WHERE APPLICABLE MUST REMAIN WITHIN DIMENSIONS		THIS DRAWING CONTAINS INFORMATION THAT IS PROPRIETARY TO MOLEX INCORPORATED AND SHOULD NOT BE USED WITHOUT WRITTEN PERMISSION.				SIZE B	

DWG. NO. SD-35421-002  
 SIMILAR ITEM  
 PROJECT NO.  
 C  
 B  
 DO NOT SCALE DRAWING  
 DIMENSION IN METRIC

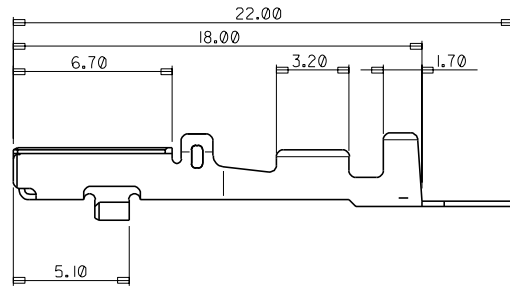
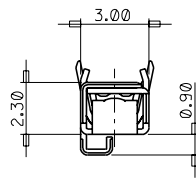
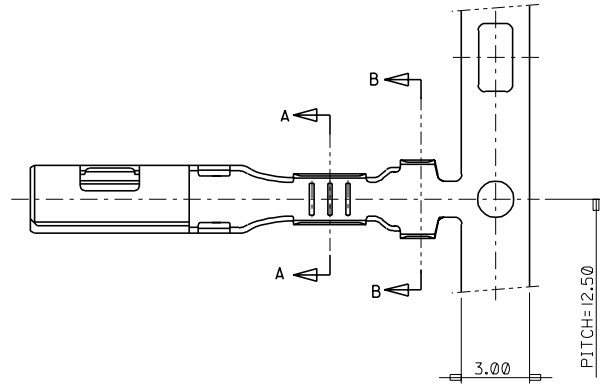
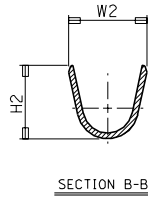
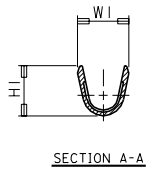
F  
 E  
 D  
 C  
 B  
 A

ENG. NO.

EDP NO.

SIMILAR ITEM

PROJECT NO.



ENG.NO	DESCRIPTION	DIMENSION				WIRE RANGE mm <sup>2</sup>
		W1	H1	W2	H2	
35421-6702	UNICONN FEMALE TERMINAL (S)	2.1	2.2	3.4	3.25	AVS(CAVS) 0.3,0.5
35421-6802	UNICONN FEMALE TERMINAL (M)	2.6	2.95	4.0	3.8	AVS(CAVS) 0.5,0.85,1.25
35421-6902	UNICONN FEMALE TERMINAL (L)	3.6	4.0	4.3	3.9	AVSS 2f

				MATERIAL PRE-TIN PLATED COPPER ALLOY 0.25+		molex MOLEX-KOREA CO.,LTD.	
				GENERAL TOLERANCE DIMENSION : ±0.30		DRAWN BY Y.SIK,KIM	
				ANGLE :		CHK'D BY	
				DIMENSION CLASSIFICATION ▽ : CRITICAL ▼ : MAJOR		APP'D BY	
				( ) : REFERENCE		SCALE 6:1	
A	NEW RELEASE	KOR 97-0162	97.12.03	ASS'Y PART		TITLE : UNICONN	
LTR	REVISION RECORD	ECN	DATE	DESCRIPTION		FEMALE TERMINAL	
REVISE ONLY ON CAD SYSTEM				ENG. NO.		SHEET 1/1	
						ENG. NO. SD 35421-6*02	
						REV A	

THIS DRAWING CONTAINS INFORMATION THAT IS PROPRIETARY TO MOLEX(KOREA) AND SHOULD NOT BE USED WITHOUT WRITTEN PERMISSION MX-A3(ANSI:290,420)