

## **Excellent Integrated System Limited**

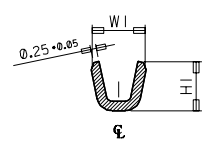
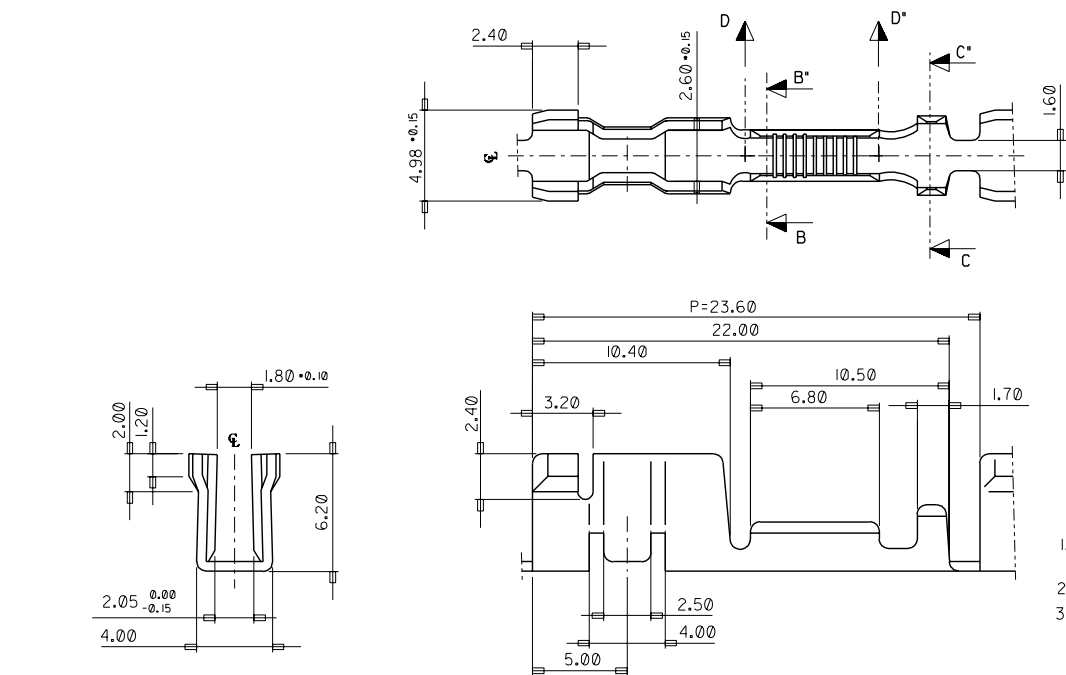
Stocking Distributor

Click to view price, real time Inventory, Delivery & Lifecycle Information:

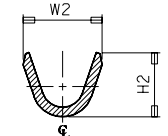
[Molex Connector Corporation](#)  
[0354648000](#)

For any questions, you can email us directly:  
[sales@integrated-circuit.com](mailto:sales@integrated-circuit.com)

DWG. NO. SD-35454-002  
 SIMILAR ITEM  
 PROJECT NO.  
 DO NOT SCALE DRAWING DIMENSION IN METRIC

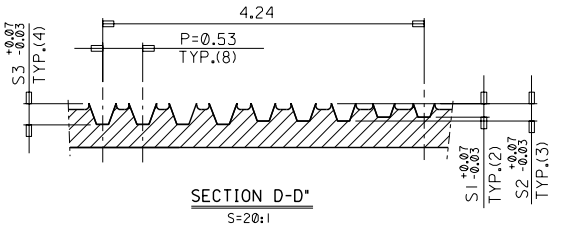


SECTION B-B'



SECTION C-C'

- NOTES
1. MATERIAL: PHOSPHER BRONZE  
0.5mm THICK
  2. FINISH: POST TIN PLATING
  3. MATED PIN DIA.: 2.29mm



SECTION D-D'  
S=20:1

ENG.NO.	DIMENSION							WIRE RANGE CMA
	W1	H1	W2	H2	S1	S2	S3	
35454-2702	2.7	2.6	4.2	3.6	0.08	0.13	0.18	1600 400
35454-2902	3.4	4.0	5.1	4.2	0.10	0.15	0.20	4200 1500

NEW RELEASED EC NO. KOR2002-0061 DRWN: W.Y.YANG 02/01/11 CHK: CHK APPR:	QUALITY SYMBOLS MAJOR = 0 CRITICAL = 0 C = 0	GENERAL TOLERANCES: (UNLESS SPECIFIED)		SCALE 5:1	DESIGN UNITS <input checked="" type="checkbox"/> MM <input type="checkbox"/> INCH	THIRD ANGLE PROJECTION <input checked="" type="checkbox"/>	DIMENSIONS: <input type="checkbox"/> MM <input type="checkbox"/> INCH <input checked="" type="checkbox"/> MM ONLY		SHT	REV
		DRAWN BY & DATE		CHECKED BY & DATE			TITLE		SHEET NO.	REV
		APPROVED BY & DATE		MATERIAL NO.			DRAWING NO.			
		CAD FILENAME		SEE TABLE			SD-35454-002		MX-A3	

COMP TERMINAL-(S),(L)  
for 2.29 DIA PIN(MAGNET WIRE)

MOLEX INCORPORATED

DRAFT WHERE APPLICABLE MUST REMAIN WITHIN DIMENSIONS

THIS DRAWING CONTAINS INFORMATION THAT IS PROPRIETARY TO MOLEX INCORPORATED AND SHOULD NOT BE USED WITHOUT WRITTEN PERMISSION.