

Excellent Integrated System Limited

Stocking Distributor

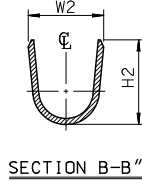
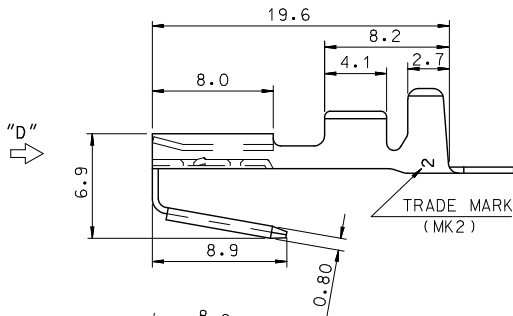
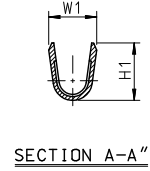
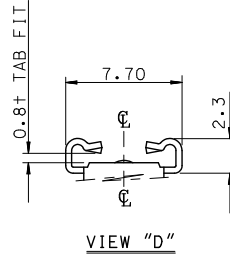
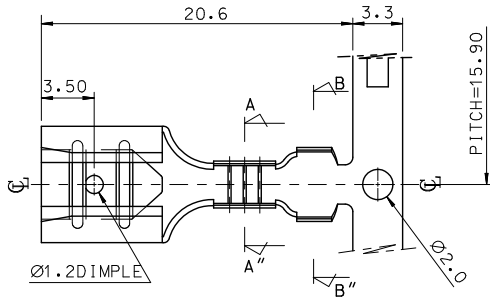
Click to view price, real time Inventory, Delivery & Lifecycle Information:

[Molex Connector Corporation](#)
[0357470410](#)

For any questions, you can email us directly:

sales@integrated-circuit.com

10 9 8 7 6 5 4 3 2 1

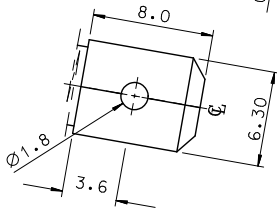


NOTES

1. MATERIAL : BRASS 0.40 ± 0.03 THK'
2. FINISH : POST-TIN PLATING
3. RECOMMENDED LENGTH OF WIRE STRIP IS 5.3-5.8

MATERIAL NO.	PART NO.	W1	H1	W2	H2	WIRE	INSUL.DIA.
357253910	35725-3910	3.1	3.8	4.9	5.6	AWG# 18-#16	MAX.Ø 3.12
357254910	35725-4910	4.0	4.2	6.5	6.35	AWG# 14	MAX.Ø 3.50
357255910	35725-5910					AWG# 12	MAX.Ø 3.98

WIRE : UL1015



REVISED EC. NO.: KOF2012-0110 DRWN:HYOU CHKD:SH. CHU APPR:YSK. IMIZ REV B1	DESCRIPTION 2012/04/23 2012/04/25	QUALITY SYMBOLS	GENERAL TOLERANCES (UNLESS SPECIFIED)	DIMENSION STYLE	SCALE	DESIGN UNITS	THIRD ANGLE PROJECTION																																
		<p>▽=0</p> <p>▽=0</p> <p>ANGULAR ± 1 °</p> <p>DRAFT WHERE APPLICABLE MUST REMAIN WITHIN DIMENSIONS</p>	<table border="1"> <thead> <tr> <th></th> <th>mm</th> <th>INCH</th> </tr> </thead> <tbody> <tr> <td>4 PLACES</td> <td>± ---</td> <td>± ---</td> </tr> <tr> <td>3 PLACES</td> <td>± ---</td> <td>± ---</td> </tr> <tr> <td>2 PLACES</td> <td>± 0.30</td> <td>± ---</td> </tr> <tr> <td>1 PLACE</td> <td>± 0.20</td> <td>± ---</td> </tr> <tr> <td>0 PLACE</td> <td>±</td> <td>±</td> </tr> </tbody> </table>		mm	INCH	4 PLACES	± ---	± ---	3 PLACES	± ---	± ---	2 PLACES	± 0.30	± ---	1 PLACE	± 0.20	± ---	0 PLACE	±	±	<table border="1"> <thead> <tr> <th>DRAWN BY</th> <th>DATE</th> <th>TITLE</th> </tr> </thead> <tbody> <tr> <td>W. Y. YANG</td> <td>1993/06/26</td> <td rowspan="2">.250 PIGGY BACK</td> </tr> <tr> <td>CHECKED BY</td> <td>DATE</td> </tr> <tr> <td>B. K. CHOI</td> <td>1993/06/26</td> <td rowspan="2">molex</td> </tr> <tr> <td>APPROVED BY</td> <td>DATE</td> </tr> <tr> <td>C. W. LEE</td> <td>1993/06/26</td> <td>DOCUMENT NO. SD-35725-*910</td> </tr> </tbody> </table>	DRAWN BY	DATE	TITLE	W. Y. YANG	1993/06/26	.250 PIGGY BACK	CHECKED BY	DATE	B. K. CHOI	1993/06/26	molex	APPROVED BY	DATE	C. W. LEE	1993/06/26	DOCUMENT NO. SD-35725-*910	4:1
	mm	INCH																																					
4 PLACES	± ---	± ---																																					
3 PLACES	± ---	± ---																																					
2 PLACES	± 0.30	± ---																																					
1 PLACE	± 0.20	± ---																																					
0 PLACE	±	±																																					
DRAWN BY	DATE	TITLE																																					
W. Y. YANG	1993/06/26	.250 PIGGY BACK																																					
CHECKED BY	DATE																																						
B. K. CHOI	1993/06/26	molex																																					
APPROVED BY	DATE																																						
C. W. LEE	1993/06/26	DOCUMENT NO. SD-35725-*910																																					
			MATERIAL NO. SEE TABLE			SHEET NO. 1 OF 1																																	

9 8 7 6 5 4 3 2 1