

Excellent Integrated System Limited

Stocking Distributor

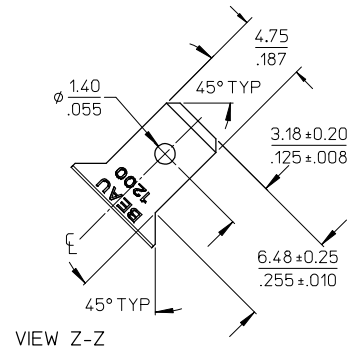
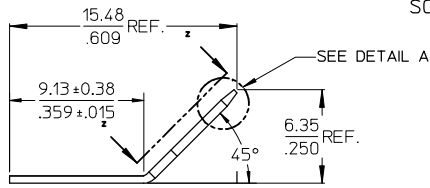
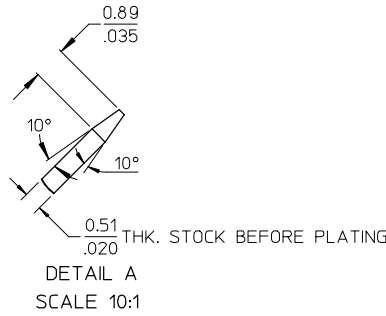
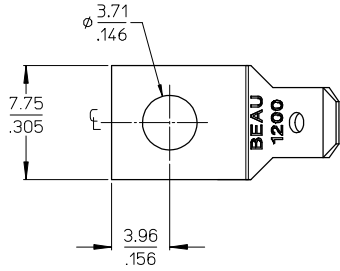
Click to view price, real time Inventory, Delivery & Lifecycle Information:

[Molex Connector Corporation](#)
[0380020028](#)

For any questions, you can email us directly:

sales@integrated-circuit.com

10	9	8	7	6	5	4	3	2	38002
MATERIAL NO.	ENGINEERING NO.	DESCRIPTION	MATERIAL	FINISH					
380020022	1214	TERMINAL, FAST-TAB SLANT	BRASS	TIN OVER COPPER PLATED					



NOTES:
1. PART IS ROHS COMPLIANT.

INITIAL RELEASE EC NO: WNA/2008-0402 DRAWN: ENCINAS 2008/07/28 CHECKED: YORK 2008/08/15 APPR: JMACNEIL 2008/08/15 REV A	QUALITY SYMBOLS ▽=0 ▽=0	GENERAL TOLERANCES (UNLESS SPECIFIED) mm INCH 4 PLACES ± --- ± --- 3 PLACES ± --- ± .005 2 PLACES ± 0.13 ± .01 1 PLACE ± 0.3 ± --- ANGULAR ± 2°	DIMENSION STYLE MM/IN DRAWN BY DATE J. ENCINAS 2008/07/15 CHECKED BY DATE C. YORK 2008/07/17 APPROVED BY DATE JMACNEIL 2008/07/18 MATERIAL NO. SEE CHART	SCALE 4:1 DESIGN UNITS INCH THIRD ANGLE PROJECTION	TITLE TERMINAL, .187 FAST-TAB 45/SLANT, TIN PLATE (CAT# 1214)	MOLEX INCORPORATED DOCUMENT NO. SD-38002-060 SHEET NO. 1 OF 1
	DRAFT WHERE APPLICABLE MUST REMAIN WITHIN DIMENSIONS		THIS DRAWING CONTAINS INFORMATION THAT IS PROPRIETARY TO MOLEX INCORPORATED AND SHOULD NOT BE USED WITHOUT WRITTEN PERMISSION			