

## Excellent Integrated System Limited

Stocking Distributor

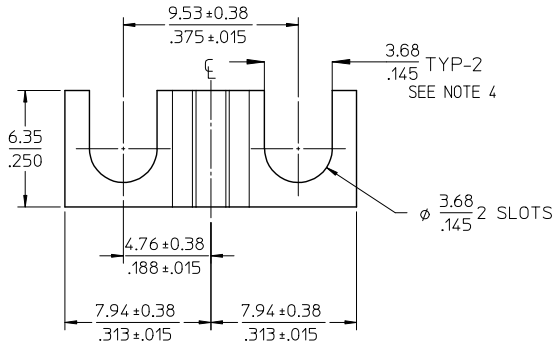
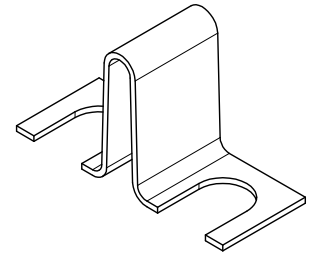
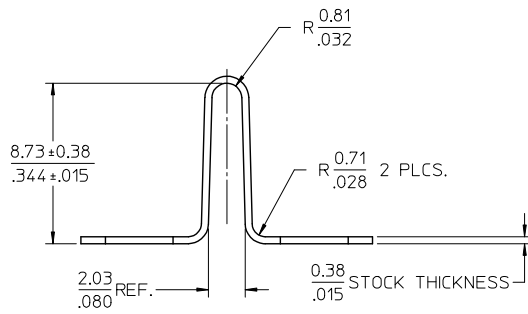
Click to view price, real time Inventory, Delivery & Lifecycle Information:

[Molex Connector Corporation](#)  
[0380021701](#)

For any questions, you can email us directly:

[sales@integrated-circuit.com](mailto:sales@integrated-circuit.com)

10 9 8 7 6 5 4 3 2 38002



NOTES:

1. MATERIAL: BRASS
2. FINISH: NICKEL PLATE
3. PART IS ROHS COMPLIANT
4. 3.68 TYP-2 IS A NOTCH, MISMATCH FROM PILOT HOLE IS ALLOWABLE

INITIAL RELEASE EC NO: WNA2009-0537 DRAWN: ENCINAS 2009/04/22 CHECKED: COOK 2009/06/11 APPROV: JMACIELL 2009/09/12	QUALITY SYMBOLS ▽=0 ▽=0	GENERAL TOLERANCES (UNLESS SPECIFIED)		DIMENSION STYLE		SCALE	DESIGN UNITS	THIRD ANGLE PROJECTION	
			mm	INCH	MM/IN		5:1	INCH	
		4 PLACES	± .---	± .---	DRAWN BY	DATE	TITLE JUMPER, TERMINAL SLOTTED TYPE (CAT# 7632)		
		3 PLACES	± .---	± .005	D.R.	1980/05/30			
2 PLACES	± 0.13	± .01	CHECKED BY	DATE	Molex MOLEX INCORPORATED				
1 PLACE	± 0.3	± .---	R.N.	1980/05/30					
ANGULAR ± 2 °		DRAFT WHERE APPLICABLE MUST REMAIN WITHIN DIMENSIONS		APPROVED BY	DATE	MATERIAL NO.	DOCUMENT NO.	SHEET NO.	
				R.N.	1980/05/30	380021461	SD-38002-068	1 OF 1	
THIS DRAWING CONTAINS INFORMATION THAT IS PROPRIETARY TO MOLEX INCORPORATED AND SHOULD NOT BE USED WITHOUT WRITTEN PERMISSION									

9 8 7 6 5 4 3 2 1