

Excellent Integrated System Limited

Stocking Distributor

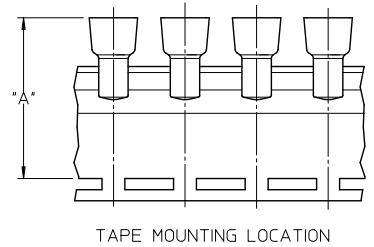
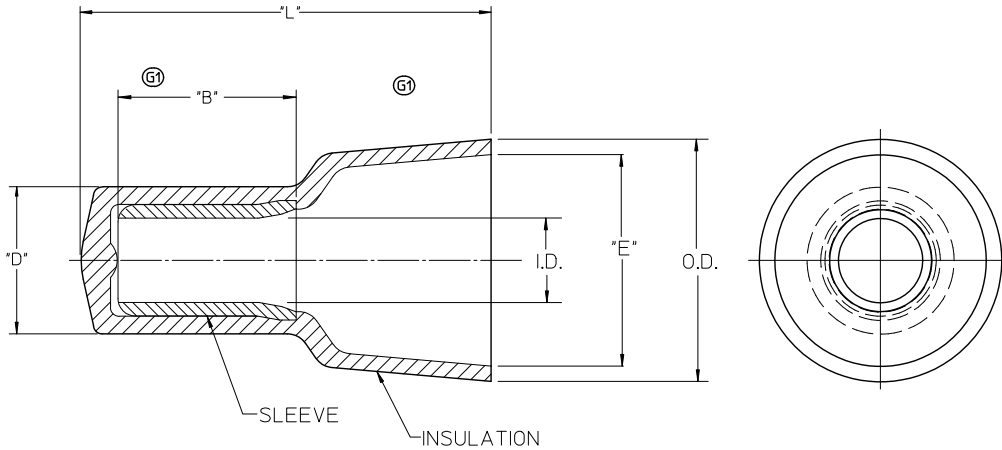
Click to view price, real time Inventory, Delivery & Lifecycle Information:

[Molex Connector Corporation](#)
[0190690029](#)

For any questions, you can email us directly:

sales@integrated-circuit.com

10		9		8		7		6		5		4		3		2		19160		
LOOSE PIECE				TAPE MOUNTED				"L" MAX.	"B" MIN $\text{\textcircled{G}}$	"D" MAX.	"E" MIN.	I.D. MIN.	O.D. MAX.	"A" DIM $\pm 0.02/0.5 \text{\textcircled{G}}$						
MATERIAL NO.	ENG. NO.	MATERIAL NO.	ENG. NO.	MATERIAL NO.	ENG. NO.	MATERIAL NO.	ENG. NO.													
191600012	NC-2214	191600070	NC-2214T	.62/15.7	.30/7.6	.19/4.8	.24/6.1	.09/2.3	.32/8.1	1.54/39.2										
191600009	NC-2212	191600071	NC-2212T	.76/19.3	.30/7.6	.23/5.8	.27/6.9	.10/2.5	.36/9.1	1.63/41.4										
191600002	NC-1610	191600083	NC-1610T	.90/22.8	.28/7.1	.28/7.1	.38/9.6	.15/3.8	.45/11.4	1.75/44.5										
191600024	NC-8	191600028	NC-8T	1.10/27.9	.42/10.6	.36/9.1	.48/12.2	.21/5.3	.57/14.5	1.86/47.4										



SALES DRAWING

NOTES:

- MATERIAL: SLEEVE: TIN-PLATED COPPER
INSULATION: 6/6 NYLON,
NATURAL TRANSLUCENT
- PARTS ARE ROHS COMPLIANT.

CORRECT TOLERANCES EC NO: WNA 2010-0673 DRAWN BY: DRW:ETHRODAHL 2010/05/07 CHECKED BY: CHY:R. DEROSS 04/02/23 APPR: JAC:NEILL 2010/06/23 REV: G1	QUALITY SYMBOLS $\nabla=0$ $\sphericalangle=0$	GENERAL TOLERANCES (UNLESS SPECIFIED) <table border="1"> <thead> <tr> <th></th> <th>mm</th> <th>INCH</th> </tr> </thead> <tbody> <tr> <td>4 PLACES</td> <td>$\pm .005$</td> <td>$\pm .0005$</td> </tr> <tr> <td>3 PLACES</td> <td>$\pm .008$</td> <td>$\pm .0008$</td> </tr> <tr> <td>2 PLACES</td> <td>$\pm .015$</td> <td>$\pm .0015$</td> </tr> <tr> <td>1 PLACE</td> <td>$\pm .030$</td> <td>$\pm .0030$</td> </tr> <tr> <td colspan="2">ANGULAR</td> <td>$\pm .005$</td> </tr> </tbody> </table>		mm	INCH	4 PLACES	$\pm .005$	$\pm .0005$	3 PLACES	$\pm .008$	$\pm .0008$	2 PLACES	$\pm .015$	$\pm .0015$	1 PLACE	$\pm .030$	$\pm .0030$	ANGULAR		$\pm .005$	DIMENSION STYLE IN/MM DRAWN BY: H. BEITZE DATE: 04/02/23 CHECKED BY: R. DEROSS DATE: 04/02/23 APPROVED BY: R. DEROSS DATE: 04/02/23 MATERIAL NO.	SCALE 5:1 DESIGN UNITS INCH THIRD ANGLE PROJECTION	TITLE CLOSED END CONNECTORS NYLON INSULATED MOLEX INCORPORATED DOCUMENT NO. SD-19160-001 SHEET NO. 1 OF 1
		mm	INCH																				
	4 PLACES	$\pm .005$	$\pm .0005$																				
	3 PLACES	$\pm .008$	$\pm .0008$																				
2 PLACES	$\pm .015$	$\pm .0015$																					
1 PLACE	$\pm .030$	$\pm .0030$																					
ANGULAR		$\pm .005$																					
DRAFT WHERE APPLICABLE MUST REMAIN WITHIN DIMENSIONS		SEE CHART	THIS DRAWING CONTAINS INFORMATION THAT IS PROPRIETARY TO MOLEX INCORPORATED AND SHOULD NOT BE USED WITHOUT WRITTEN PERMISSION																				