

Excellent Integrated System Limited

Stocking Distributor

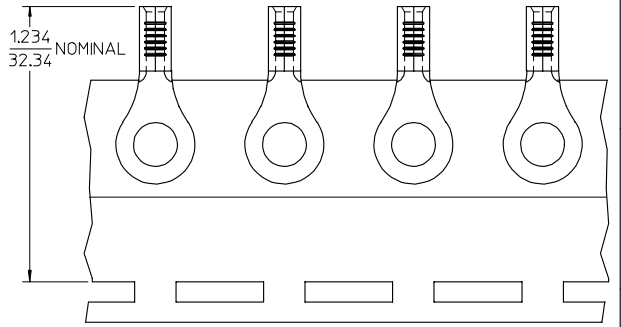
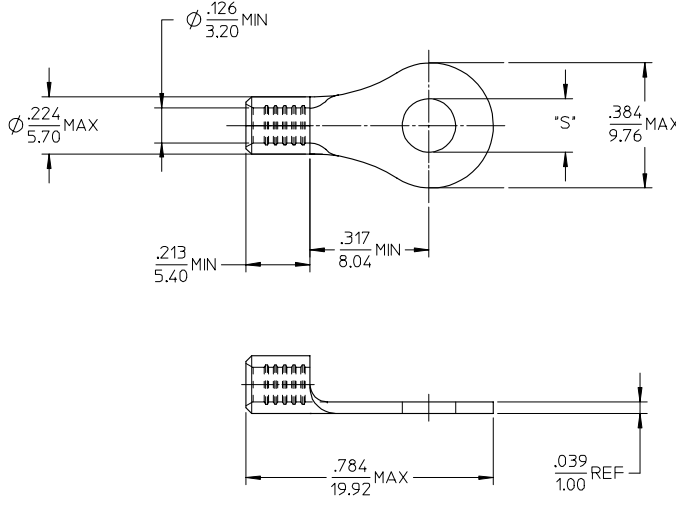
Click to view price, real time Inventory, Delivery & Lifecycle Information:

[Molex Connector Corporation](#)
[0192030493](#)

For any questions, you can email us directly:

sales@integrated-circuit.com

10	9	8	7	6	5	4	3	2	19203
MATERIAL NO.	ENG. NO.	STUD SIZE	"S" MAX	DESCRIPTION					
192030493	C-S-128-06	6	.149/3.78	LOOSE					
192030092	C-S-128-06T	6	.149/3.78	TAPE					



PARTS ON TAPE

NOTE(S):

1. MATERIAL: STEEL
2. WIRE SIZE: 12-10 AWG (4.0-6.0 MM²)
3. FINISH: NICKEL PLATING
4. PART IS ROHS COMPLIANT.
5. AMBIENT OPERATING TEMPERATURE UP TO 900 °F (483 °C).

ADDED OPERATING TEMP EC NO: ETC2007-0297 DRWNSHILLE 2007/03/13 CHKCD: JMACNEIL 2007/03/13 APPR: JMACNEIL 2007/03/14	QUALITY SYMBOLS ▽=0 ▽=0	GENERAL TOLERANCES (UNLESS SPECIFIED)		DIMENSION STYLE IN/MM	SCALE 4:1	DESIGN UNITS INCH	THIRD ANGLE PROJECTION
		4 PLACES ±--- ±--- 3 PLACES ±--- ±--- 2 PLACES ±--- ±--- 1 PLACE ±--- ±--- ANGULAR ±---°	DRAWN BY EHILE DATE 2006/09/21	CHECKED BY JMACNEIL DATE 2006/09/21	APPROVED BY JMACNEIL DATE 2006/09/21	TITLE RING TONGUE TERMINAL, 12-10 AWG, KRIMPTITE, 900 DEG F (483 DEG C)	MOLEX INCORPORATED
DRAFT WHERE APPLICABLE MUST REMAIN WITHIN DIMENSIONS	SEE CHART	MATERIAL NO. SD-19203-031	THIS DRAWING CONTAINS INFORMATION THAT IS PROPRIETARY TO MOLEX INCORPORATED AND SHOULD NOT BE USED WITHOUT WRITTEN PERMISSION				