

Excellent Integrated System Limited

Stocking Distributor

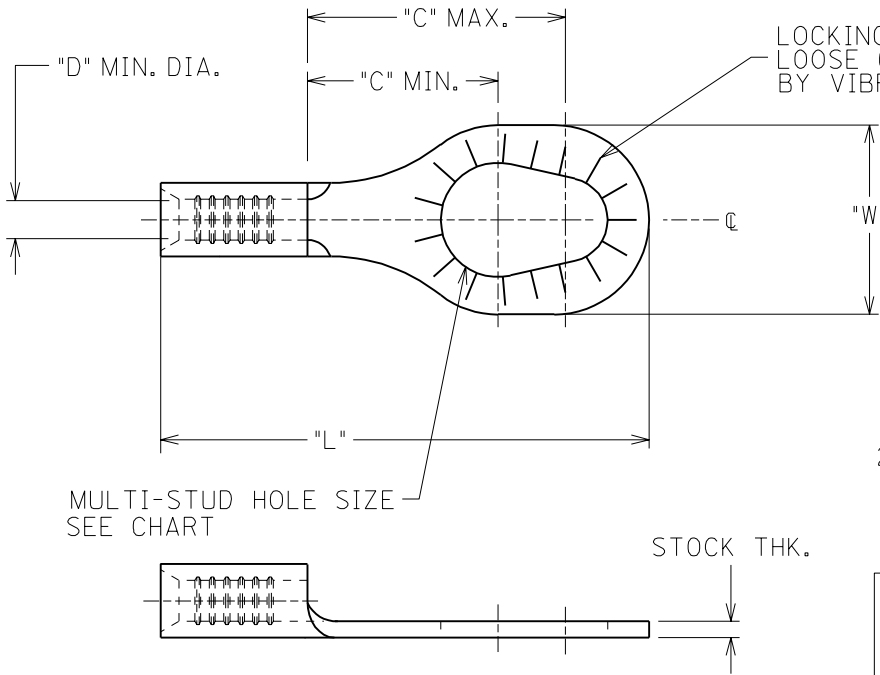
Click to view price, real time Inventory, Delivery & Lifecycle Information:

[Molex Connector Corporation](#)
[0190790007](#)

For any questions, you can email us directly:

sales@integrated-circuit.com

DRWG. NO. CUST. DWG.



- NOTES:
1. CONDUCTOR MAT'L: COPPER
PLATING: TIN
 2. PVC INSULATION: COLOR CODED
SEE CHART

STUD HOLE SIZES:	
06	= .146
08	= .173
10	= .198

PART NUMBERS ARE FOR LOOSE PIECE TO ORDER PARTS ON TAPE ADD A "T" TO END OF PART NUMBER

PART NUMBER	WIRE RANGE AWG	INSUL. COLOR	"L" MAX.	"W" MAX.	"C" MIN.	"C" MAX.	"D" MIN.			STUD SIZE RANGE FOR EA. PART No.	STOCK THICKNESS
A-1006-MS	22-18	RED	.866	.348	.330	.447	.062			6, 8, 10	.028
B-1006-MS	16-14	BLUE	.866	.362	.330	.447	.081			6, 8, 10	.031
C-1006-MS	12-10	YELLOW	.890	.410	.330	.447	.128			6, 8, 10	.040

REVISE ONLY ON CAD SYSTEM

TITLE
KRIMPTITE
MULTI-STUD
RING TONGUE TERMINAL

CUSTOMER
DRAWING

DRWG. BY EMF	ETC INC. PINELLAS PARK, FLA. 34665 U.S.A.	SHEET NO.	DATE 08/09/93
CHK'D. BY	PART NO. SEE TABLE	DRWG. NO. CUSTOMER DWG.	
APP'D. BY	FILE NAME MSRINGKR CST	THIS DRAWING CONTAINS INFORMATION THAT IS PROPRIETARY TO MOLEX-ETC INC. AND SHOULD NOT BE USED WITHOUT WRITTEN PERMISSION.	
SCALE NO:NE		DIV.	SIZE A

6

5

4

3

2

1