

Excellent Integrated System Limited

Stocking Distributor

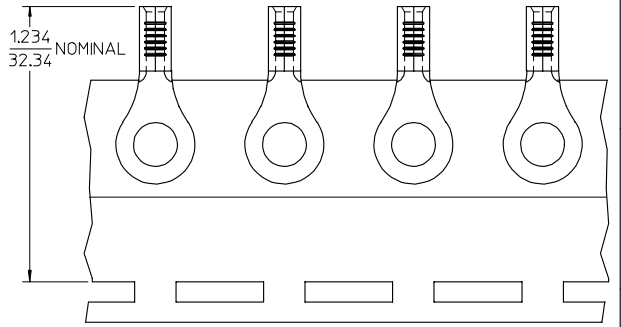
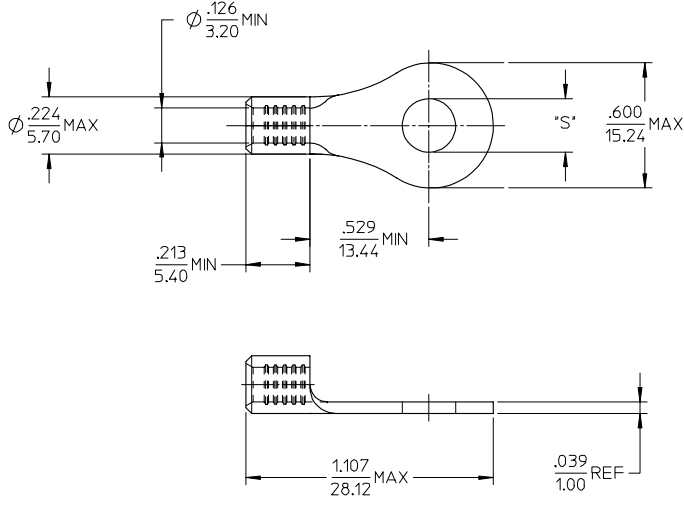
Click to view price, real time Inventory, Delivery & Lifecycle Information:

[Molex Connector Corporation](#)
[0192030496](#)

For any questions, you can email us directly:

sales@integrated-circuit.com

10	9	8	7	6	5	4	3	2	19203
MATERIAL NO.	ENG. NO.	STUD SIZE	"S" MAX	DESCRIPTION					
192030496	C-S-130-56	5/16	.334/8.48	LOOSE					
192030096	C-S-130-56T	5/16	.334/8.48	TAPE					



NOTE(S):

1. MATERIAL: STEEL
2. WIRE SIZE: 12-10 AWG (4.0-6.0 MM²)
3. FINISH: NICKEL PLATING
4. PART IS ROHS COMPLIANT.
5. AMBIENT OPERATING TEMPERATURE UP TO 900 °F (483 °C).

ADDED OPERATING TEMP EC NO: ETC2007-0297 2007/03/13 DRAWN: EHILE CHKD: JMACNEIL APPR: JMACNEIL 2007/03/13 2007/03/14	QUALITY SYMBOLS ▽=0 ▽=0	GENERAL TOLERANCES (UNLESS SPECIFIED)		DIMENSION STYLE IN/MM	SCALE 4:1	DESIGN UNITS INCH	THIRD ANGLE PROJECTION	
		4 PLACES	±	---	±	---	DRAWN BY EHILE	DATE 2006/09/22
B	REV	3 PLACES	±	---	±	---	TITLE RING TONGUE TERMINAL, 12-10 AWG, KRIMPTITE, 900 DEG F (483 DEG C)	
		2 PLACES	±	---	±	---	CHECKED BY JMACNEIL	DATE 2006/09/22
		1 PLACE	±	---	±	---	APPROVED BY JMACNEIL	DATE 2006/09/22
		ANGULAR		±	---	°	MATERIAL NO. SD-19203-034	DOCUMENT NO. SD-19203-034
		DRAFT WHERE APPLICABLE MUST REMAIN WITHIN DIMENSIONS		SEE CHART	MATERIAL NO. SD-19203-034			SHEET NO. 1 OF 1
				SIZE B	THIS DRAWING CONTAINS INFORMATION THAT IS PROPRIETARY TO MOLEX INCORPORATED AND SHOULD NOT BE USED WITHOUT WRITTEN PERMISSION			