

Excellent Integrated System Limited

Stocking Distributor

Click to view price, real time Inventory, Delivery & Lifecycle Information:

[Molex Connector Corporation](#)
[0190560065](#)

For any questions, you can email us directly:

sales@integrated-circuit.com

FILE NO. **B-CD-301-01**

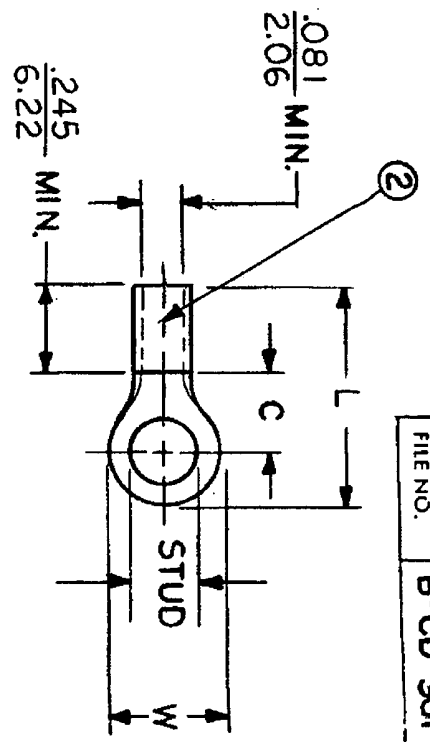
- NOTES:**
- ① MAT'L: COPPER (STOCK TKN. $\frac{.031}{.79}$)
PLATING: ELECTRO-TIN (.0003 MIN.)
 - ② BRAZED SEAM

STUD SIZES: ($\pm .005$)

- 02 = .094
- 04 = .119
- 06 = .146
- 08 = .173
- 10 = .198
- 14 = .265
- 56 = .328
- 38 = .390

"UL" LISTING # E32244
"CSA" LISTING # 18689

ALL DIMENSIONS = $\frac{\text{INCHES}}{\text{MM}}$



WIRE SIZE: 16-14 AWG
1.0-2.5 MM²

| PART NUMBER | "W" $\pm .010$ | "C" MIN. | "L" MAX. | REFERENCE | | TITLE: | AVAILABLE STUD SIZES |
|-------------|----------------------|----------------------|-----------------------|--------------|----------------|-----------------------|--------------------------------|
| | | | | SCALE: | NTS | | |
| B-318- | $\frac{.534}{13.56}$ | $\frac{.554}{14.07}$ | $\frac{1.115}{28.32}$ | DRWN. BY: JJ | DATE: 11-28-84 | RING TONGUE TERMINAL | 02, 04, 06, 08, 10, 14, 56, 38 |
| B-323- | $\frac{.250}{6.35}$ | $\frac{.209}{5.31}$ | $\frac{.639}{16.23}$ | CHKD. BY: GA | DATE: 11-30-84 | VERSAKRIMP 300-SERIES | 02, 04, 06, 08 |
| B-325- | $\frac{.467}{11.86}$ | $\frac{.388}{9.86}$ | $\frac{.916}{23.27}$ | APPRD. BY: | | | 10, 14, 56 |
| B-337- | $\frac{.312}{7.92}$ | $\frac{.285}{7.24}$ | $\frac{.730}{18.54}$ | | | | 04, 06, 08, 10 |
| B-339- | $\frac{.342}{8.69}$ | $\frac{.310}{7.87}$ | $\frac{.775}{19.69}$ | | | | 04, 06, 08, 10 |



DWG. NO. **A** CUSTOMER DWG.