

Excellent Integrated System Limited

Stocking Distributor

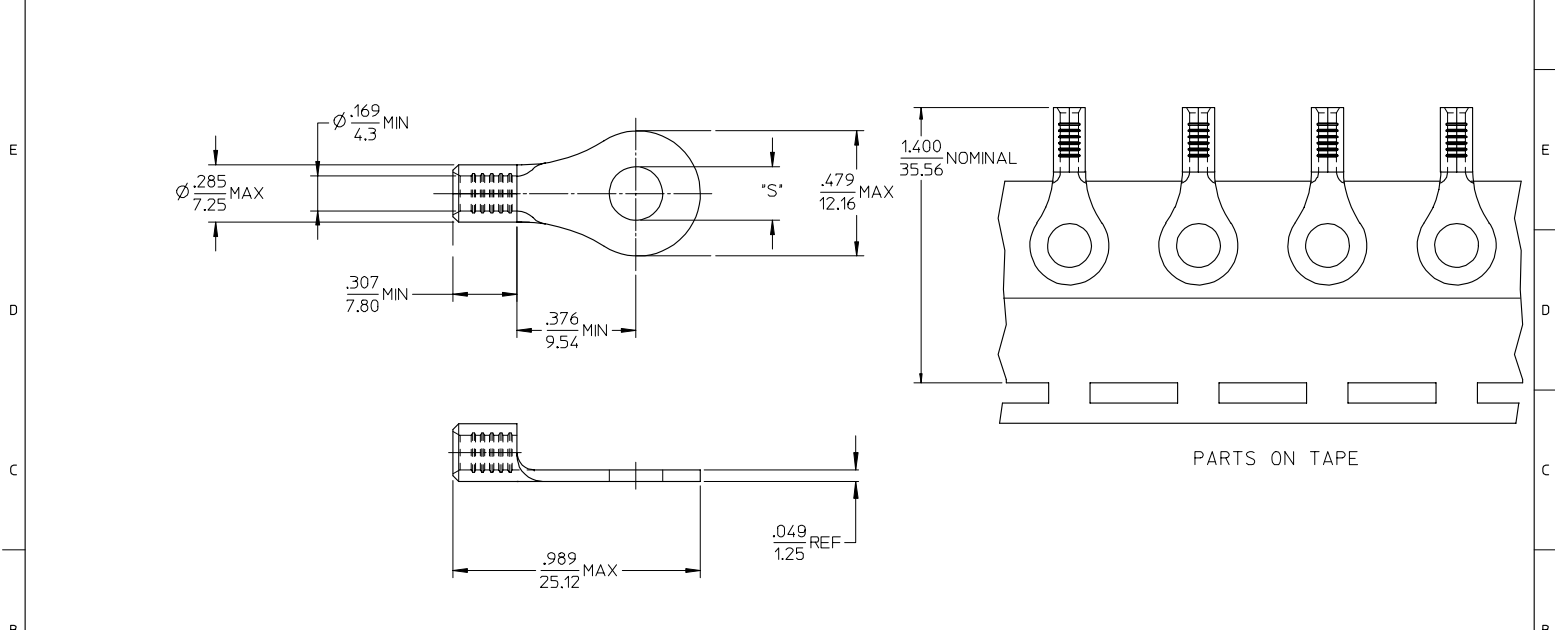
Click to view price, real time Inventory, Delivery & Lifecycle Information:

[Molex Connector Corporation](#)
[0192030376](#)

For any questions, you can email us directly:

sales@integrated-circuit.com

10	9	8	7	6	5	4	3	2	19203
MATERIAL NO.	ENG. NO.	STUD SIZE	*S* MAX	DESCRIPTION					
192030376	19203-0376	1/4	.268/6.81	LOOSE					
192030475	192030376T	1/4	.268/6.81	TAPE					



- NOTE(S):
1. MATERIAL: STEEL
 2. WIRE SIZE: 8 AWG (10.0 MM²)
 3. FINISH: NICKEL PLATING
 4. PART IS ROHS COMPLIANT.
 5. AMBIENT OPERATING TEMPERATURE UP TO 900 °F (483 °C).

ADDED OPERATING TEMP EC NO: ETC2007-0297 DROWNVILLE 2007/03/13 CHYKD-JIMACNEIL 2007/03/13 APPR: JIMACNEIL 2007/03/14	QUALITY SYMBOLS ▽=0 ▽=0	GENERAL TOLERANCES (UNLESS SPECIFIED)		DIMENSION STYLE	SCALE	DESIGN UNITS	THIRD ANGLE PROJECTION	
				IN/MM	4:1	INCH		
		4 PLACES	±---	±---	DRAWN BY	DATE	TITLE	
		3 PLACES	±---	±---	DMYRICK	2005/04/06	RING TONGUE TERMINAL, 8 AWG, KRIMPTITE, 900 DEG F (483 DEG C)	
2 PLACES	±---	±---	CHECKED BY	DATE	MATERIAL NO.		DOCUMENT NO.	
1 PLACE	±---	±---	RDEROSS	2005/04/06	SD-19203-019		SHEET NO.	
ANGULAR ±---		°	APPROVED BY	DATE	MATERIAL NO.		1 OF 1	
			RDEROSS	2005/04/06	MATERIAL NO.			
DRAFT WHERE APPLICABLE MUST REMAIN WITHIN DIMENSIONS		SEE CHART		THIS DRAWING CONTAINS INFORMATION THAT IS PROPRIETARY TO MOLEX INCORPORATED AND SHOULD NOT BE USED WITHOUT WRITTEN PERMISSION				