

Excellent Integrated System Limited

Stocking Distributor

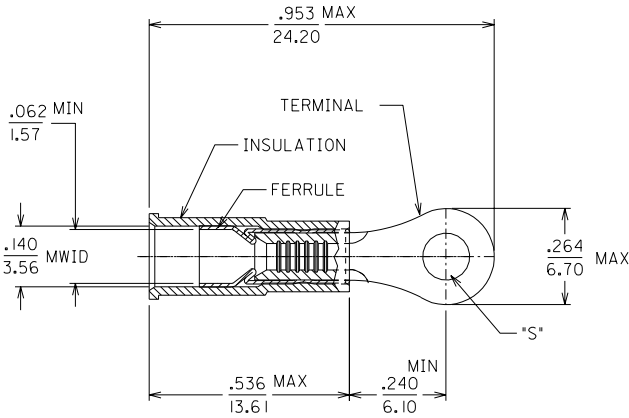
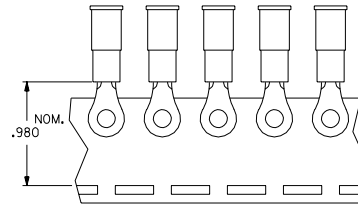
Click to view price, real time Inventory, Delivery & Lifecycle Information:

[Molex Connector Corporation](#)
[0190570028](#)

For any questions, you can email us directly:

sales@integrated-circuit.com

MATERIAL NUMBER	ALTERNATE NUMBER	*S*	WIRE RANGE	COLOR	PACKAGING
I90570026	A-532-04	.119/3.02	22-18 AWG	RED	LOOSE PIECE
I90570028	A-526-06	.146/3.70	22-18 AWG	RED	LOOSE PIECE
I90570030	A-526-08	.173/4.39	22-18 AWG	RED	LOOSE PIECE
I90570027	A-526-04T	.119/3.02	22-18 AWG	RED	TAPE
I90570029	A-526-06T	.146/3.70	22-18 AWG	RED	TAPE
I90570031	A-526-08T	.173/4.39	22-18 AWG	RED	TAPE



- MATERIAL: TERMINAL: COPPER
.028/.711 THICK.
FUNNEL FERRULE: BRASS
PLATING: ELECTRO TIN
INSULATION: NYLON 6/6
COLOR: SEE CHART
- MWID = MAXIMUM WIRE INSULATION DIAMETER
- ALL DIMENSIONS = INCHES / MM

CUSTOMER DRAWING

A	NEW CUST. DWG. ETC2001-0288 01/03/23 EDB
LTR.	REVISIONS

DIMENSIONS SHOWN (METRIC) INCH		REVISE ONLY ON CAD SYSTEM																			
UNLESS OTHERWISE SPECIFIED TOLERANCES: ANGULAR ± 1/2°		TITLE																			
		RING TONGUE TERMINAL																			
		AVIKRIMP																			
		500 SERIES																			
<table border="1"> <thead> <tr> <th></th> <th>INCH</th> <th>METRIC</th> </tr> </thead> <tbody> <tr> <td>3 PLACE</td> <td>± .005</td> <td>± ---</td> </tr> <tr> <td>2 PLACE</td> <td>± .01</td> <td>± 0.13</td> </tr> <tr> <td>1 PLACE</td> <td>± ---</td> <td>± 0.25</td> </tr> </tbody> </table>			INCH	METRIC	3 PLACE	± .005	± ---	2 PLACE	± .01	± 0.13	1 PLACE	± ---	± 0.25	<table border="1"> <tr> <td>ETC INC.</td> <td>SHEET NO.</td> <td>DATE</td> </tr> <tr> <td>PINELLAS PARK, FLA. 33781 U.S.A.</td> <td>1 OF 1</td> <td>01/03/23</td> </tr> </table>		ETC INC.	SHEET NO.	DATE	PINELLAS PARK, FLA. 33781 U.S.A.	1 OF 1	01/03/23
	INCH	METRIC																			
3 PLACE	± .005	± ---																			
2 PLACE	± .01	± 0.13																			
1 PLACE	± ---	± 0.25																			
ETC INC.	SHEET NO.	DATE																			
PINELLAS PARK, FLA. 33781 U.S.A.	1 OF 1	01/03/23																			
DRAFT WHERE APPLICABLE MUST REMAIN WITHIN DIMENSIONS		PART NO.																			
		SEE TABLE																			
<table border="1"> <tr> <td>DRWG. BY: EDB</td> <td>CHK'D. BY: HEB</td> </tr> <tr> <td>APP'D. BY: RWD</td> <td>SCALE: NO:NE</td> </tr> </table>		DRWG. BY: EDB	CHK'D. BY: HEB	APP'D. BY: RWD	SCALE: NO:NE	<table border="1"> <tr> <td>FILE NAME: SD19057005 DGN</td> <td>DRWG. NO.: SD-19057-005</td> </tr> </table>		FILE NAME: SD19057005 DGN	DRWG. NO.: SD-19057-005												
DRWG. BY: EDB	CHK'D. BY: HEB																				
APP'D. BY: RWD	SCALE: NO:NE																				
FILE NAME: SD19057005 DGN	DRWG. NO.: SD-19057-005																				
THIS DRAWING CONTAINS INFORMATION THAT IS PROPRIETARY TO MOLEX-ETC INC. AND SHOULD NOT BE USED WITHOUT WRITTEN PERMISSION.		<table border="1"> <tr> <td>DIV: ET</td> <td>SIZE: B</td> </tr> </table>		DIV: ET	SIZE: B																
DIV: ET	SIZE: B																				

10 9 8 7 6 5 4 3 2 1