

Excellent Integrated System Limited

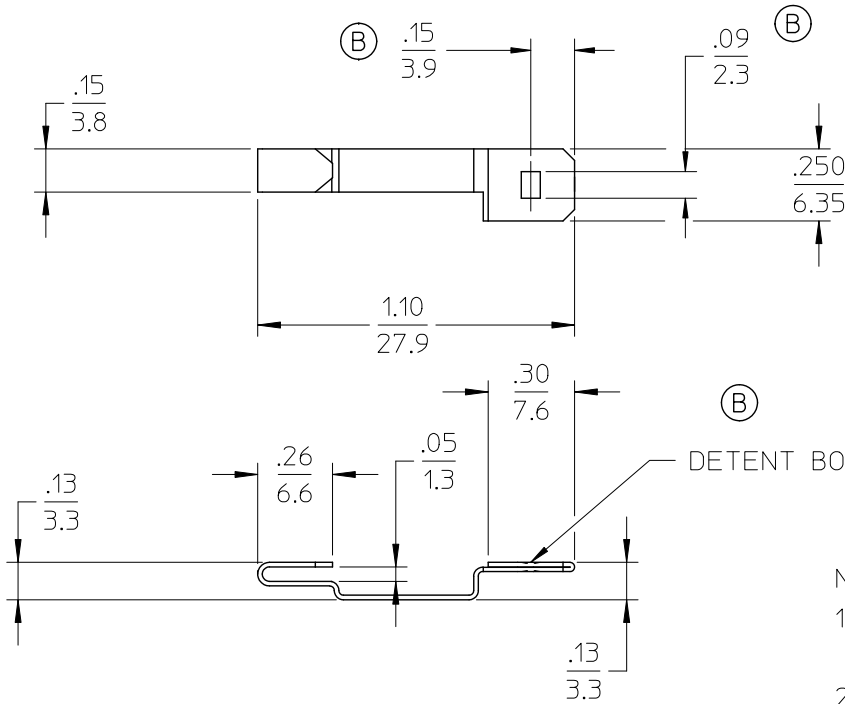
Stocking Distributor

Click to view price, real time Inventory, Delivery & Lifecycle Information:

[Molex Connector Corporation](#)
[0190430011](#)

For any questions, you can email us directly:

sales@integrated-circuit.com



DETENT BOTH SIDES

NOTES:

1. MATERIAL:
CDA26000 BRASS, .016 THICK
2. PART IS ROHS COMPLIANT.

SALES DRAWING

CHANGE DIMPLE EC NO: WNA2010-0791 DRWN:ETHRODAHL 2010/06/22 CHKD:JMAGNEIL 2010/06/23 APPR:JMAGNEIL 2010/06/30	QUALITY SYMBOLS ▽=0 ▽=0	GENERAL TOLERANCES (UNLESS SPECIFIED)		DIMENSION STYLE IN/MM		SCALE 2:1	DESIGN UNITS INCH	THIRD ANGLE PROJECTION		
		4 PLACES ± --- ± ---	3 PLACES ± --- ± .005	2 PLACES ± 0.13 ± .01	1 PLACE ± 0.25 ± ---	ANGULAR ± 1/2°	DRAWN BY JLOMASTRO		DATE 05/09/08	
		DRAFT WHERE APPLICABLE MUST REMAIN WITHIN DIMENSIONS		APPROVED BY RDEROSS		DATE 05/09/08		TITLE FUSE TAP ADAPTER FTA-1		
				MATERIAL NO. 190430011		DOCUMENT NO. SD-19043-005		MOLEX INCORPORATED		
				SIZE A		THIS DRAWING CONTAINS INFORMATION THAT IS PROPRIETARY TO MOLEX INCORPORATED AND SHOULD NOT BE USED WITHOUT WRITTEN PERMISSION			SHEET NO. 1 OF 1	