



Distributor of Molex Connector Corporation: Excellent Integrated System Limited
Datasheet of 0190190021 - Connector Quick Connect Receptacle 18-22 AWG 0.205"
(5.21mm) Crimp

Contact us: sales@integrated-circuit.com Website: www.integrated-circuit.com

Excellent Integrated System Limited

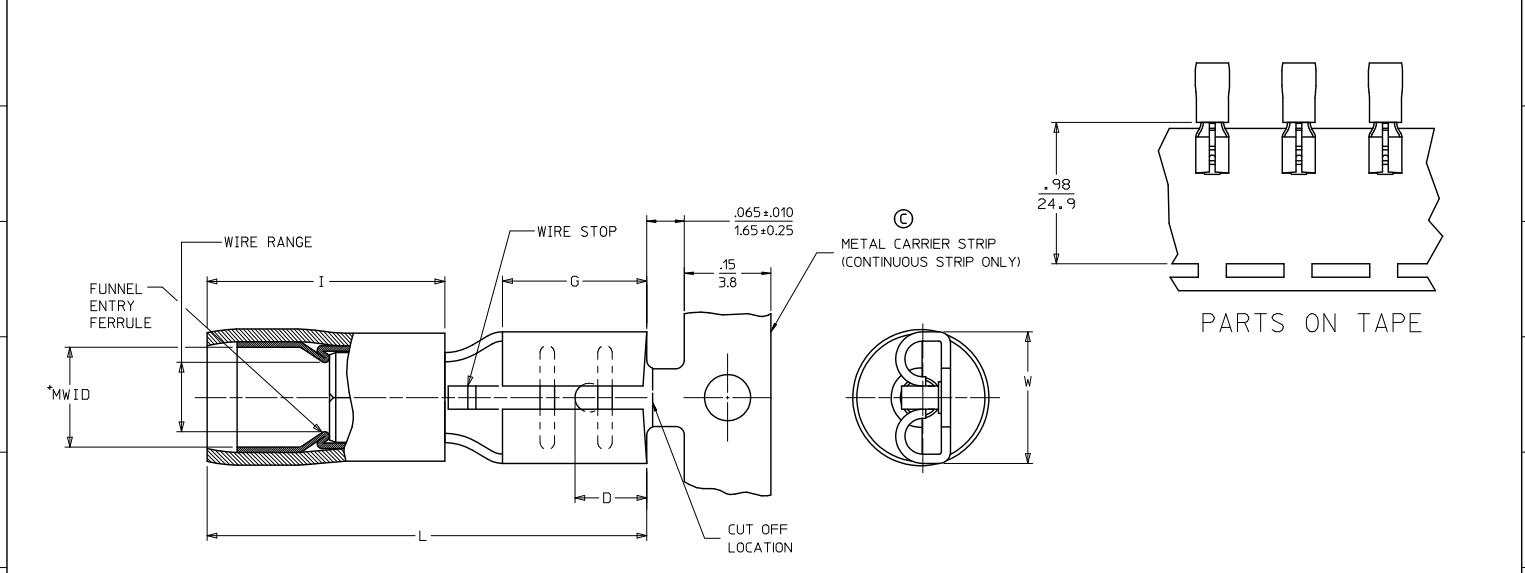
Stocking Distributor

Click to view price, real time Inventory, Delivery & Lifecycle Information:

[Molex Connector Corporation](#)
[0190190021](#)

For any questions, you can email us directly:
sales@integrated-circuit.com

LOOSE PIECE		TAPE MOUNTED		CONTINUOUS STRIP (C)		SPECIFICATIONS										
MATERIAL NUMBER	ENGINEERING NUMBER	MATERIAL NUMBER	ENGINEERING NUMBER	MATERIAL NUMBER	ENGINEERING NUMBER	INS. COLOR	WIRE RANGE AWG	WIRE RANGE MM	FIT TAB SIZE	STOCK THICKNESS	'D' MAX.	'G' MAX.	'MWID' MAX.			
190190012	AA-8140	190190013	AA-8140T	190190020	AAZ-8140	RED	22-18	0.25-1.5	250x.032 (6.35X0.81)	.016 (0.41)	.865 (21.97)	.43 (10.9)	.156 (3.96)	.31 (7.9)	.115 (2.92)	
190190031	BB-8141	190190033	BB-8141T	190190036	BBZ-8141	BLUE	16-14	1.0-2.5	250x.032 (6.35X0.81)	.016 (0.41)	.865 (21.97)	.43 (10.9)	.156 (3.96)	.31 (7.9)	.138 (3.51)	
190190052	P-8142	190190054	P-8142T	190190057	PZ-8142	YELLOW	14-12	1.65-4.2	250x.032 (6.35X0.81)	.016 (0.41)	.865 (21.97)	.43 (10.9)	.156 (3.96)	.31 (7.9)	.170 (4.32)	
190190037	C-8143	190190038	C-8143T	-	-	YELLOW	10-12	4.0-6.0	250x.032 (6.35X0.81)	.018 (0.46)	1.011 (25.68)	.57 (14.5)	.301 (7.65)	.156 (3.96)	.31 (7.9)	.225 (5.70)
190190014	AA-8190	190190016	AA-8190T	190190021	AAZ-8190	RED	22-18	0.25-1.5	205x.020 (5.21X0.51)	.016 (0.41)	.789 (20.04)	.43 (10.9)	.125 (3.18)	.25 (6.4)	.115 (2.92)	
190190034	BB-8191	190190036	BB-8191T	-	-	BLUE	16-14	1.0-2.5	205x.020 (5.21X0.51)	.016 (0.41)	.789 (20.04)	.43 (10.9)	.125 (3.18)	.25 (6.4)	.138 (3.51)	
190190015	AA-8190-032	190190058	AA-8190-032T	-	-	RED	22-18	0.25-1.5	205x.032 (5.21X0.81)	.016 (0.41)	.789 (20.04)	.43 (10.9)	.125 (3.18)	.25 (6.4)	.115 (2.92)	
190190035	BB-8191-032	190190063	BB-8191-032T	-	-	BLUE	16-14	1.0-2.5	205x.032 (5.21X0.81)	.016 (0.41)	.789 (20.04)	.43 (10.9)	.125 (3.18)	.25 (6.4)	.138 (3.51)	
190190008	AA-8137-032	190190009	AA-8137-032T	190190019	AAZ-8137-032	RED	22-18	0.25-1.5	187x.032 (4.75X0.81)	.016 (0.41)	.789 (20.04)	.43 (10.9)	.125 (3.18)	.25 (6.4)	.115 (2.92)	
190190028	BB-8138-032	190190029	BB-8138-032T	190190080	BBZ-8138-032	BLUE	16-14	1.0-2.5	187x.032 (4.75X0.81)	.016 (0.41)	.789 (20.04)	.43 (10.9)	.125 (3.18)	.25 (6.4)	.138 (3.51)	
190190049	P-8139-032	190190050	P-8139-032T	190190056	PZ-8139-032	YELLOW	14-12	1.65-4.2	187x.032 (4.75X0.81)	.016 (0.41)	.789 (20.04)	.43 (10.9)	.125 (3.18)	.25 (6.4)	.170 (4.32)	
190190006	AA-8137	190190011	AA-8137T	190190018	AAZ-8137	RED	22-18	0.25-1.5	187x.020 (4.75X0.51)	.016 (0.41)	.789 (20.04)	.43 (10.9)	.125 (3.18)	.25 (6.4)	.115 (2.92)	
190190027	BB-8138	190190030	BB-8138T	190190079	BBZ-8138	BLUE	16-14	1.0-2.5	187x.020 (4.75X0.51)	.016 (0.41)	.789 (20.04)	.43 (10.9)	.125 (3.18)	.25 (6.4)	.138 (3.51)	
190190048	P-8139	190190051	P-8139T	190190055	PZ-8139	YELLOW	14-12	1.65-4.2	187x.020 (4.75X0.51)	.016 (0.41)	.789 (20.04)	.43 (10.9)	.125 (3.18)	.25 (6.4)	.170 (4.32)	
190190004	AA-8134	190190005	AA-8134T	190190075	AAZ-8134	RED	22-18	0.25-1.5	110x.032 (2.80X0.81)	.012 (0.30)	.789 (20.04)	.43 (10.9)	.163 (4.14)	.210 (5.33)	.115 (2.92)	
190190025	BB-8135	190190026	BB-8135T	190190078	BBZ-8135	BLUE	16-14	1.0-2.5	110x.032 (2.80X0.81)	.012 (0.30)	.789 (20.04)	.43 (10.9)	.163 (4.14)	.210 (5.33)	.138 (3.51)	
190190001	AA-8131	190190003	AA-8131T	190190017	AAZ-8131	RED	22-18	0.25-1.5	110x.020 (2.80X0.51)	.012 (0.30)	.789 (20.04)	.43 (10.9)	.163 (4.14)	.210 (5.33)	.115 (2.92)	
190190022	BB-8132	190190024	BB-8132T	190190076	BBZ-8132	BLUE	16-14	1.0-2.5	110x.020 (2.80X0.51)	.012 (0.30)	.789 (20.04)	.43 (10.9)	.163 (4.14)	.210 (5.33)	.138 (3.51)	



NOTES: 1. MATERIAL: BRASS TERMINAL, COPPER ALLOY FERRULE 2. FINISH: ELECTRO-TIN PLATING 3. INSULATION: EXTRUDED NYLON 4. *MWID=MAXIMUM WIRE INSULATION DIAMETER 5. PARTS ARE ROHS COMPLIANT.	QUALITY SYMBOLS ▽=0 ▽=0	GENERAL TOLERANCES (UNLESS SPECIFIED) mm INCH 4 PLACES ±--- ±--- 3 PLACES ±--- ±.005 2 PLACES ±0.13 ±.01 1 PLACE ±0.25 ±--- ANGULAR ±---°		DIMENSION STYLE IN/MM DRAWN BY BRE DATE 2001/07/25 CHECKED BY HEB DATE 2001/07/25 APPROVED BY RWD DATE 2001/07/25		SCALE --- DESIGN UNITS INCH	THIRD ANGLE PROJECTION	
		DRAFT WHERE APPLICABLE MUST REMAIN WITHIN DIMENSIONS		SEE CHART		MOLEX INCORPORATED	SHEET NO. 1 OF 1	
		MATERIAL NO. 0190190021		DOCUMENT NO. SD-19019-001		QUICK DISCONNECT PARTIALLY INSULATED AVIKRIMP		
		FERRULE DESCR. CONT. P/N EC NO. VINA2009-0510 DRAWN: THRODHAL 2010/01/04 CHKD: MALONEIL 2010/01/05 APPR: MALONEIL 2010/01/05		MOLEX INCORPORATED		THIS DRAWING CONTAINS INFORMATION THAT IS PROPRIETARY TO MOLEX INCORPORATED AND SHOULD NOT BE USED WITHOUT WRITTEN PERMISSION		