

Excellent Integrated System Limited

Stocking Distributor

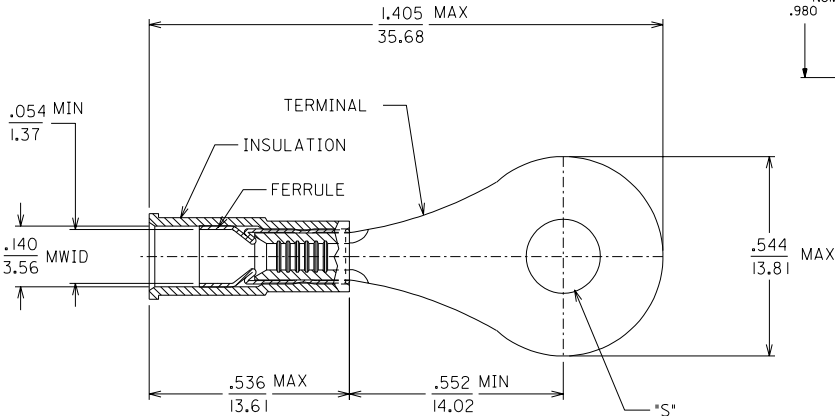
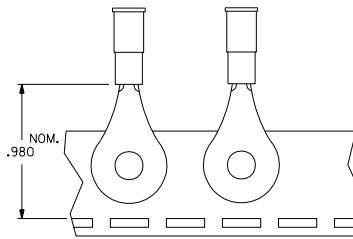
Click to view price, real time Inventory, Delivery & Lifecycle Information:

[Molex Connector Corporation](#)
[0190570022](#)

For any questions, you can email us directly:

sales@integrated-circuit.com

| MATERIAL NUMBER | ALTERNATE NUMBER | *S* | WIRE RANGE | COLOR | PACKAGING |
|-----------------|------------------|-----------|------------|-------|-------------|
| 190570019 | A-526-10 | .198/5.02 | 22-18 AWG | RED | LOOSE PIECE |
| 190570020 | A-526-14 | .265/6.73 | 22-18 AWG | RED | LOOSE PIECE |
| 190570024 | A-526-56 | .328/8.33 | 22-18 AWG | RED | LOOSE PIECE |
| 190570022 | A-526-38 | .390/9.90 | 22-18 AWG | RED | LOOSE PIECE |
| 190570021 | A-526-14T | .265/6.73 | 22-18 AWG | RED | TAPE |
| 190570023 | A-526-38T | .390/9.90 | 22-18 AWG | RED | TAPE |



- MATERIAL: TERMINAL: COPPER
.031/.787 THICK.
FUNNEL FERRULE: BRASS
PLATING: ELECTRO TIN
INSULATION: NYLON 6/6
COLOR: SEE CHART
- MWID = MAXIMUM WIRE INSULATION DIAMETER
- ALL DIMENSIONS = INCHES / MM

CUSTOMER DRAWING

| | |
|--|-----------|
| NEW CUST. DWG. ETC2001-0288 01/03/23 EDB | |
| L.T.R. | REVISIONS |

| DIMENSIONS SHOWN (METRIC/INCH) UNLESS OTHERWISE SPECIFIED TOLERANCES: ANGULAR ± 1/2° | | REVISE ONLY ON CAD SYSTEM | | | | | | | | | | | | | |
|---|--------|--|------|--------|---------|--------|-------|---------|-------|--------|---------|-------|--------|--|--|
| <table border="1"> <thead> <tr> <th></th> <th>INCH</th> <th>METRIC</th> </tr> </thead> <tbody> <tr> <td>3 PLACE</td> <td>± .005</td> <td>± ---</td> </tr> <tr> <td>2 PLACE</td> <td>± .01</td> <td>± 0.13</td> </tr> <tr> <td>1 PLACE</td> <td>± ---</td> <td>± 0.25</td> </tr> </tbody> </table> | | | INCH | METRIC | 3 PLACE | ± .005 | ± --- | 2 PLACE | ± .01 | ± 0.13 | 1 PLACE | ± --- | ± 0.25 | TITLE: RING TONGUE TERMINAL AVIKRIMP 500 SERIES ETC INC. PINELLAS PARK, FLA. 33781 U.S.A. SHEET NO. 1 OF 1 DATE 01/03/23 | |
| | INCH | METRIC | | | | | | | | | | | | | |
| 3 PLACE | ± .005 | ± --- | | | | | | | | | | | | | |
| 2 PLACE | ± .01 | ± 0.13 | | | | | | | | | | | | | |
| 1 PLACE | ± --- | ± 0.25 | | | | | | | | | | | | | |
| DRAWING BY: EDB APP'D. BY: RWD | | PART NO. SEE TABLE FILE NAME: SD19057004 DGN DRAWING NO. SD-19057-004 | | | | | | | | | | | | | |
| CHK'D. BY: HEB SCALE: NO:NE | | THIS DRAWING CONTAINS INFORMATION THAT IS PROPRIETARY TO MOLEX-ETC INC. AND SHOULD NOT BE USED WITHOUT WRITTEN PERMISSION. DIV. ET SIZE B | | | | | | | | | | | | | |

10 9 8 7 6 5 4 3 2 1