

## Excellent Integrated System Limited

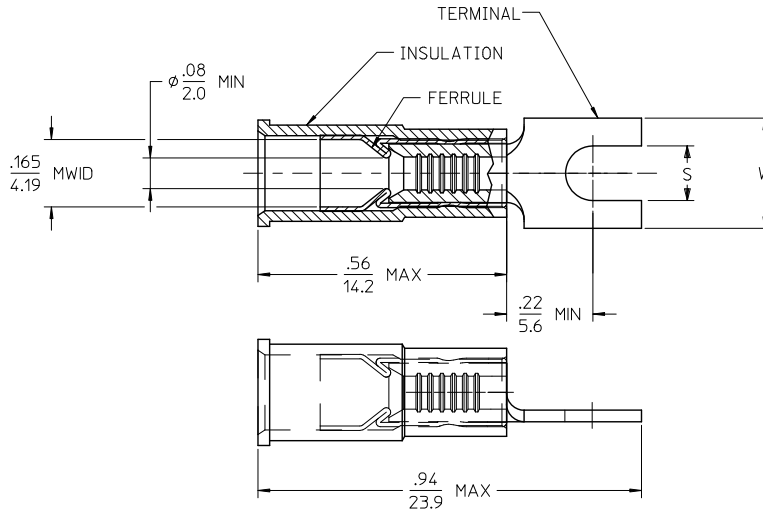
Stocking Distributor

Click to view price, real time Inventory, Delivery & Lifecycle Information:

[Molex Connector Corporation](#)  
[0191370019](#)

For any questions, you can email us directly:  
[sales@integrated-circuit.com](mailto:sales@integrated-circuit.com)

10	9	8	7	6	5	4	3	2	19137
MATERIAL NUMBER	ENGINEERING NUMBER	STUD SIZE	"S" ±.005/ 0.13	W ±.010/0.25	PACKAGING				
191370022	B-5781-06	6	.146/ 3.71	.295/ 7.49	LOOSE PIECE				
191370023	B-5781-08	8	.173/ 4.39	.295/ 7.49					
191370024	B-5781-10	10	.198/ 5.03	.295/ 7.49					
191370019 (A1)	B-5471-04	4	.119/ 2.79	.245/ 6.22					
191370020 (A1)	B-5471-06	6	.146/ 3.71	.245/ 6.22					



NOTES:  
 1. MATERIAL: COPPER .031/(0.79) THICK.  
 2. PLATING: MATTE TIN  
 3. INSULATION: 94V-2 NYLON, BLUE  
 4. PARTS ARE ROHS COMPLIANT.

SALES DRAWING

ADD 5471'S EC NO: WNA2011-0252 DRAWN BY: ETHRODAHL 2011/01/21 CHKD: JMACNEIL APPR: JMACNEIL 2011/02/21 REV: A1	QUALITY SYMBOLS $\nabla=0$ $\nabla=0$	GENERAL TOLERANCES (UNLESS SPECIFIED) <table border="1"> <thead> <tr> <th></th> <th>mm</th> <th>INCH</th> </tr> </thead> <tbody> <tr> <td>4 PLACES</td> <td>± .005</td> <td>± .0005</td> </tr> <tr> <td>3 PLACES</td> <td>± .010</td> <td>± .0010</td> </tr> <tr> <td>2 PLACES</td> <td>± .013</td> <td>± .0010</td> </tr> <tr> <td>1 PLACE</td> <td>± .025</td> <td>± .0020</td> </tr> </tbody> </table>		mm	INCH	4 PLACES	± .005	± .0005	3 PLACES	± .010	± .0010	2 PLACES	± .013	± .0010	1 PLACE	± .025	± .0020	DIMENSION STYLE IN/MM	SCALE 4:1	DESIGN UNITS INCH	THIRD ANGLE PROJECTION
		mm	INCH																		
	4 PLACES	± .005	± .0005																		
	3 PLACES	± .010	± .0010																		
2 PLACES	± .013	± .0010																			
1 PLACE	± .025	± .0020																			
DRAWN BY: ETHRODAHL DATE: 2010/08/04 CHECKED BY: JMACNEIL DATE: 2010/08/04 APPROVED BY: JMACNEIL DATE: 2010/09/21	TITLE BLOCK SPADE AVIKRIMP LONG BARREL 16-14 AWG		MOLEX INCORPORATED																		
DRAFT WHERE APPLICABLE MUST REMAIN WITHIN DIMENSIONS		MATERIAL NO. SEE CHART		DOCUMENT NO. SD-19137-001		SHEET NO. 1 OF 1															
SIZE B THIS DRAWING CONTAINS INFORMATION THAT IS PROPRIETARY TO MOLEX INCORPORATED AND SHOULD NOT BE USED WITHOUT WRITTEN PERMISSION																					