

Excellent Integrated System Limited

Stocking Distributor

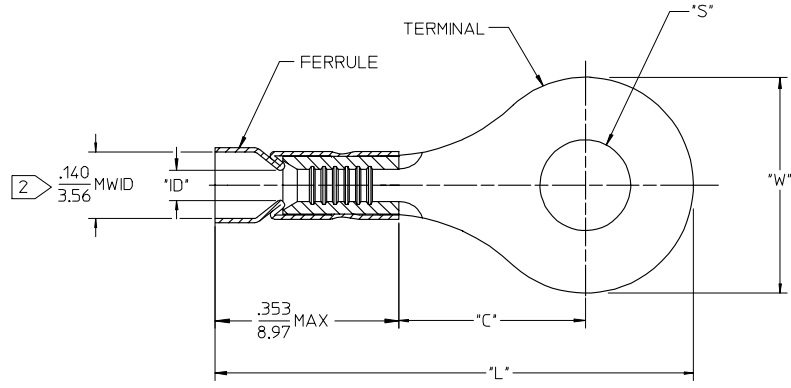
Click to view price, real time Inventory, Delivery & Lifecycle Information:

[Molex Connector Corporation](#)
[0190720021](#)

For any questions, you can email us directly:

sales@integrated-circuit.com

10	9	8	7	6	5	4	3	2	19072
MATERIAL NUMBER	ENGINEERING NUMBER	STUD SIZE	"S" ±.005/±0.13	STOCK THICKNESS REF	"W" ±.010/0.25	"C" MIN	"L" MAX	"ID" MIN	
190720019	AA-422-10	10	.198/3.02	.028/0.71	.467/11.86	.386/9.81	1.008/25.60	.062/1.57	
190720021	AA-422-14	14	.265/6.73						
190720023	AA-422-56	56	.328/8.33						
190720032	AA-432-04	04	.119/3.02						
190720034	AA-432-06	06	.146/3.71						
190720036	AA-432-08	08	.173/4.39		.254/6.45	.240/6.10	.755/19.18		



NOTES:
 1. MATERIAL: TERMINAL: COPPER
 FUNNEL FERRULE: BRASS
 PLATING: ELECTRO TIN.

2. MWD = MAXIMUM WIRE INSULATION.

SALES DRAWING

WAS A PART OF AA-ID-401-01 EC NO: ETC2005-0035 DRAWN: BENDERLE 2004/08/18 CHKDR: DEROSS 2004/08/18 APPR: DEROSS 2004/08/18	QUALITY SYMBOLS -0 -0 ANGULAR ±1/2° DRAFT WHERE APPLICABLE MUST REMAIN WITHIN DIMENSIONS	GENERAL TOLERANCES (UNLESS SPECIFIED)		SCALE NONE	DESIGN UNITS INCH	THIRD ANGLE PROJECTION REVISE ON CAD ONLY			
		4 PLACES ±	3 PLACES ±	2 PLACES ±	1 PLACE ±		DIMENSION STYLE IN/MM	TITLE RING TONGUE TERMINAL VIBRAKRIMP 22-18 AWG	
		DRAWN BY BENDERLE		DATE 2004/08/18		CHECKED BY R DEROSS		DATE 2004/08/18	
		APPROVED BY R DEROSS		DATE 2004/08/18		MATERIAL NO. SEE CHART		DOCUMENT NO. SD-19072-002	SHEET NO. 1 OF 1