

Excellent Integrated System Limited

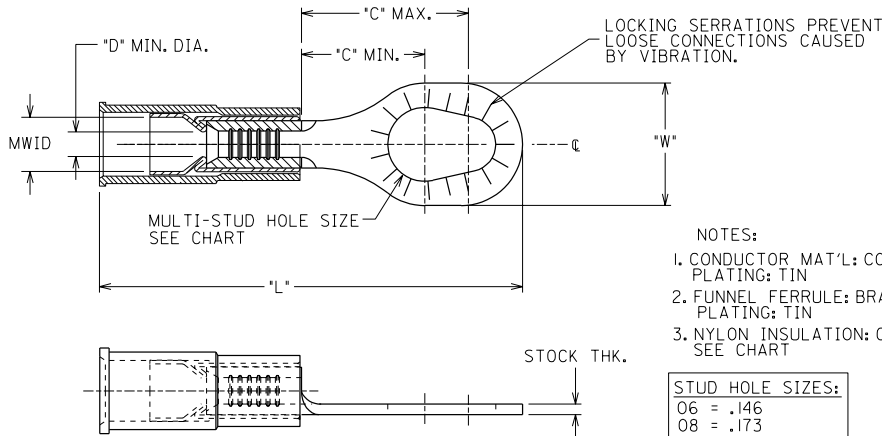
Stocking Distributor

Click to view price, real time Inventory, Delivery & Lifecycle Information:

[Molex Connector Corporation](#)
[0190810003](#)

For any questions, you can email us directly:

sales@integrated-circuit.com



- NOTES:
1. CONDUCTOR MAT'L: COPPER
PLATING: TIN
 2. FUNNEL FERRULE: BRASS
PLATING: TIN
 3. NYLON INSULATION: COLOR CODED
SEE CHART

STUD HOLE SIZES:	
06	= .146
08	= .173
10	= .198

A	UPDATE BORDER CHANGE 1" DIM. ETC10785 04/07 JH
LTR.	REVISIONS

CUSTOMER DRAWING

MWID = MAX. WIRE INSULATION DIA.

PART NUMBERS ARE FOR LOOSE PIECE TO ORDER PARTS ON TAPE ADD A "T" TO END OF PART NUMBER

PART NUMBER	WIRE RANGE AWG	INSUL. COLOR	"L" MAX.	"W" MAX.	"C" MIN.	"C" MAX.	"D" MIN.	MWID	STUD SIZE RANGE FOR EA. PART No.	STOCK THICKNESS
A-5006-MS	22-18	RED	1.064	.348	.330	.447	.062	.140	6, 8, 10	.028
B-5006-MS	16-14	BLUE	1.064	.362	.330	.447	.081	.170	6, 8, 10	.031
C-5006-MS	12-10	YELLOW	1.305	.410	.330	.447	.128	.225	6, 8, 10	.040

DIMENSIONS SHOWN (METRIC) INCH UNLESS OTHERWISE SPECIFIED TOLERANCES: ANGULAR ± 1/2°		REVISE ONLY ON CAD SYSTEM																													
<table border="1"> <tr> <th>PLACE</th> <th>INCH</th> <th>METRIC</th> </tr> <tr> <td>1 PLACE</td> <td>± .005</td> <td>± ---</td> </tr> <tr> <td>2 PLACE</td> <td>± .01</td> <td>± 0.13</td> </tr> <tr> <td>3 PLACE</td> <td>± ---</td> <td>± 0.25</td> </tr> </table>		PLACE	INCH	METRIC	1 PLACE	± .005	± ---	2 PLACE	± .01	± 0.13	3 PLACE	± ---	± 0.25	<table border="1"> <tr> <td colspan="2">TITLE</td> <td>SHEET NO.</td> <td>DATE</td> </tr> <tr> <td colspan="2">VIBRAKRIMP MULTI-STUD RING TONGUE TERMINAL</td> <td>93</td> <td>02/22</td> </tr> <tr> <td colspan="2">PART NO.</td> <td colspan="2">DRWG. NO.</td> </tr> <tr> <td colspan="2">SEE TABLE</td> <td colspan="2">MSRINGCD</td> </tr> </table>		TITLE		SHEET NO.	DATE	VIBRAKRIMP MULTI-STUD RING TONGUE TERMINAL		93	02/22	PART NO.		DRWG. NO.		SEE TABLE		MSRINGCD	
PLACE	INCH	METRIC																													
1 PLACE	± .005	± ---																													
2 PLACE	± .01	± 0.13																													
3 PLACE	± ---	± 0.25																													
TITLE		SHEET NO.	DATE																												
VIBRAKRIMP MULTI-STUD RING TONGUE TERMINAL		93	02/22																												
PART NO.		DRWG. NO.																													
SEE TABLE		MSRINGCD																													
DRAFT WHERE APPLICABLE MUST REMAIN WITHIN DIMENSIONS		<table border="1"> <tr> <td>FILE NAME</td> <td>THIS DRAWING CONTAINS INFORMATION THAT IS PROPRIETARY TO MOLEX-ETC INC. AND SHOULD NOT BE USED WITHOUT WRITTEN PERMISSION.</td> <td>DIV.</td> <td>SIZE</td> </tr> <tr> <td>MSRINGCD</td> <td></td> <td></td> <td>B</td> </tr> </table>		FILE NAME	THIS DRAWING CONTAINS INFORMATION THAT IS PROPRIETARY TO MOLEX-ETC INC. AND SHOULD NOT BE USED WITHOUT WRITTEN PERMISSION.	DIV.	SIZE	MSRINGCD			B																				
FILE NAME	THIS DRAWING CONTAINS INFORMATION THAT IS PROPRIETARY TO MOLEX-ETC INC. AND SHOULD NOT BE USED WITHOUT WRITTEN PERMISSION.	DIV.	SIZE																												
MSRINGCD			B																												
DRWG. BY: EMF	CHKD. BY: RWD																														
APP'D. BY: RWD	SCALE: NO:NE																														

10 9 8 7 6 5 4 3 2 1