

Excellent Integrated System Limited

Stocking Distributor

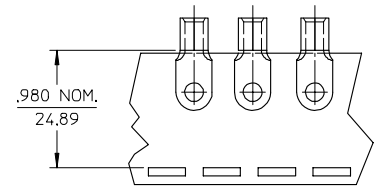
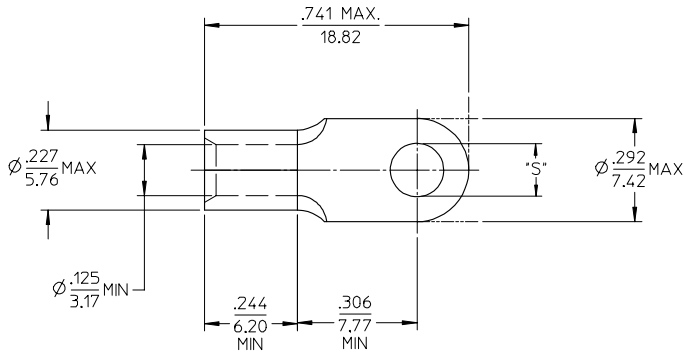
Click to view price, real time Inventory, Delivery & Lifecycle Information:

[Molex Connector Corporation](#)
[0191930129](#)

For any questions, you can email us directly:

sales@integrated-circuit.com

10	9	8	7	6	5	4	3	2	19193
MATERIAL NO. LOOSE PIECE	ENG. NO.	MATERIAL NO. TAPE MOUNTED	ENG. NO.	STUD SIZE	±.003 "S"	STOCK THICKNESS			
191930126	C-336-04	-----	-----	4	.119	.040 (1.02)			
191930128	C-336-06	191930129	C-336-06T	6	.146				
191930130	C-336-08	191930131	C-336-08T	8	.173				



SALES DRAWING

- NOTE(S):
 1. MATERIAL: COPPER
 2. PLATING: ELECTROPLATE TIN
 3. ALL DIMENSIONS IN INCHES/(MM).
 4. WIRE SIZE: 12-10 AWG
 4.0-6.0 MM²

REVISED/UPDATE TO MK STDS EC NO. ETC2003-0315 DRAWN: JMYRIEK 2003/08/20 CHKD: HEB 2003/08/21 APPR: ABEROSS 2003/08/21	QUALITY SYMBOLS ▽-0 ▽.0	GENERAL TOLERANCES (UNLESS SPECIFIED)		SCALE 4:1	DESIGN UNITS INCH	THIRD ANGLE PROJECTION	REVISE ON CAD ONLY	
				DIMENSION STYLE IN/MM		TITLE RING TONGUE TERMINAL VERSAKRIMP 12-10 AWG		
		4 PLACES ± --- ± ---	3 PLACES ± --- ± .005	DRAWN BY DLM	DATE 03/06/13	MOLEX INCORPORATED		
		2 PLACES ± 0.13 ± .01	1 PLACE ± 0.25 ± ---	CHECKED BY HEB	DATE 03/06/13	MATERIAL NO. (SEE CHART)	DOCUMENT NO. SD-19193-025	SHEET NO. 1 OF 1
DRAFT WHERE APPLICABLE MUST REMAIN WITHIN DIMENSIONS		APPROVED BY RWD	DATE 03/06/13	THIS DRAWING CONTAINS INFORMATION THAT IS PROPRIETARY TO MOLEX INCORPORATED AND SHOULD NOT BE USED WITHOUT WRITTEN PERMISSION				