

Excellent Integrated System Limited

Stocking Distributor

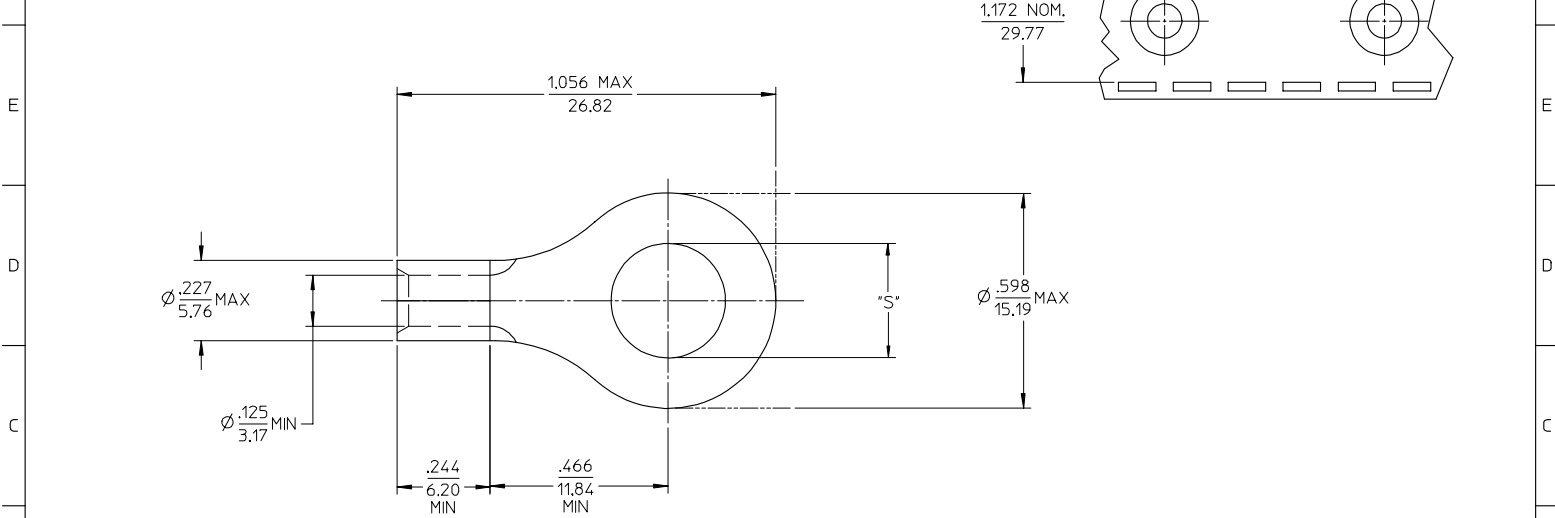
Click to view price, real time Inventory, Delivery & Lifecycle Information:

[Molex Connector Corporation](#)
[0191930899](#)

For any questions, you can email us directly:

sales@integrated-circuit.com

| 10 | 9 | 8 | 7 | 6 | 5 | 4 | 3 | 2 | 19193 |
|-----------------------------|----------|------------------------------|-----------|--------------|--------------|--------------------|---|---|-------|
| MATERIAL NO. LOOSE PIECE | ENG. NO. | MATERIAL NO. TAPE MOUNTED | ENG. NO. | STUD SIZE | ±.003 "S" | STOCK THICKNESS | | | |
| 191930132 | C-340-10 | 191930133 | C-340-10T | 10 | .198 | .040 (1.02) | | | |
| 191930134 | C-340-14 | 191930135 | C-340-14T | 1/4 | .265 | | | | |
| 191930141 | C-340-56 | 191930142 | C-340-56T | 5/16 | .328 | | | | |
| 191930137 | C-340-38 | 191930139 | C-340-38T | 3/8 | .390 | | | | |



SALES DRAWING

- NOTE(S):
 1. MATERIAL: COPPER
 2. PLATING: ELECTROPLATE TIN
 3. ALL DIMENSIONS IN INCHES/(MM).
 4. WIRE SIZE: 12-10 AWG
 4.0-6.0 MM²

| | | | | | | | | |
|---|----------------------------------|--|--|--------------------------|----------------------|--|---------------------|--|
| REVISED/UPDATE TO MK STDS EC NO. ETC2003-0315 DRAWN: DMYRIEK 2003/08/20 CHKD: HEB 2003/08/21 APPR: ABEROSS 2003/08/21 | QUALITY SYMBOLS ▽-0 ▽.0 | GENERAL TOLERANCES (UNLESS SPECIFIED) | | SCALE 4:1 | DESIGN UNITS INCH | THIRD ANGLE PROJECTION | REVISE ON CAD ONLY | |
| | | | | DIMENSION STYLE IN/MM | | TITLE RING TONGUE TERMINAL VERSAKRIMP 12-10 AWG | | |
| | | 4 PLACES ± --- ± --- | | DRAWN BY DLM | DATE 03/06/13 | MATERIAL NO. MOLEX INCORPORATED | | |
| | | 3 PLACES ± --- ±.005 | | CHECKED BY HEB | DATE 03/06/13 | DOCUMENT NO. SD-19193-026 | SHEET NO. 1 OF 1 | |
| 2 PLACES ±0.13 ±.01 | | DRAFT WHERE APPLICABLE MUST REMAIN WITHIN DIMENSIONS | | APPROVED BY RWD | DATE 03/06/13 | THIS DRAWING CONTAINS INFORMATION THAT IS PROPRIETARY TO MOLEX INCORPORATED AND SHOULD NOT BE USED WITHOUT WRITTEN PERMISSION | | |
| 1 PLACE ±0.25 ± --- | | | | | | | | |
| ANGULAR ±1/2° | | | | | | | | |