

## **Excellent Integrated System Limited**

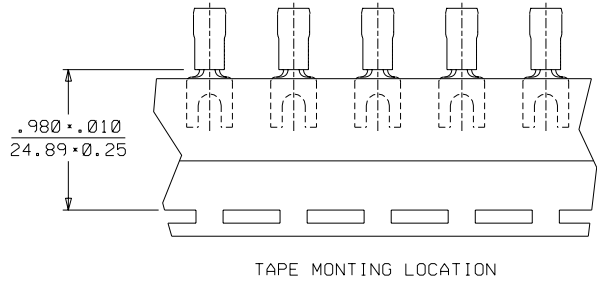
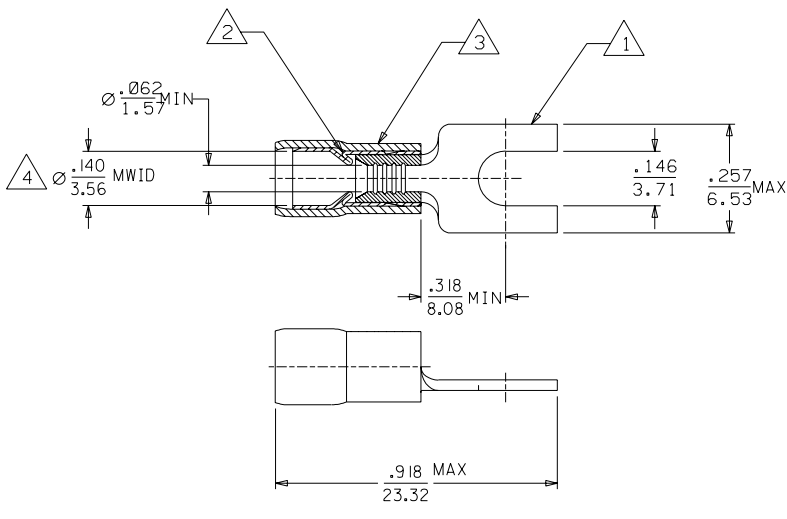
Stocking Distributor

Click to view price, real time Inventory, Delivery & Lifecycle Information:

[Molex Connector Corporation](#)  
[0191390007](#)

For any questions, you can email us directly:  
[sales@integrated-circuit.com](mailto:sales@integrated-circuit.com)

MATERIAL NUMBER	ENGINEERING NUMBER	STUD SIZE	PACKAGING
191390006	AA-8118-06	6	LOOSE PIECE
191390007	AA-8118-06T		TAPE MOUNTED



- NOTES:
1. TERMINAL MATERIAL: COPPER .028 THICK.
  2. FERRULE: TIN-PLATED BRASS. PLATING: ELECTROPLATE TIN
  3. INSULATION: LT. RED NYLON
  4. MWID=MAXIMUM WIRE INSULATION DIA.

SALES DRAWING

NEW RELEASE EC NO. ETC2004-0027 DRAWN BY: BRE CHK: HEB APPR: RWD	DESCRIPTION REV	QUALITY SYMBOLS	GENERAL TOLERANCES: (UNLESS SPECIFIED)	SCALE NO: NE	DESIGN UNITS	THIRD ANGLE PROJECTION	DIMENSIONS:	SHT	REV
		MAJOR CRITICAL C/0	mm INCH	NO: NE	mm INCH	mm INCH mm ONLY	REVISE ON CAD ONLY		
A			4 PLACES ±0. INCH 3 PLACES ±0. mm 2 PLACES ±0. mm 1 PLACE ±0. mm	DRAWN BY & DATE BRE 03/07/30	CHECKED BY & DATE HEB 03/07/30	APPROVED BY & DATE RWD 03/07/30	TITLE: BLOCK SPADE TONGUE TERMINAL AVIKRIMP 22-18 AWG		
DRAFT WHERE APPLICABLE MUST REMAIN WITHIN DIMENSIONS				CAD FILENAME SD-19139-002.DGN	MATERIAL NO. SEE CHART	DRAWING NO. SD-19139-004	MOLEX INCORPORATED		
				THIS DRAWING CONTAINS INFORMATION THAT IS PROPRIETARY TO MOLEX INCORPORATED AND SHOULD NOT BE USED WITHOUT WRITTEN PERMISSION.			SHEET NO. 1 OF 1 SIZE B		