

## Excellent Integrated System Limited

Stocking Distributor

Click to view price, real time Inventory, Delivery & Lifecycle Information:

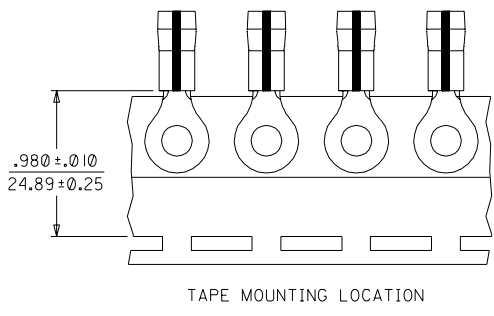
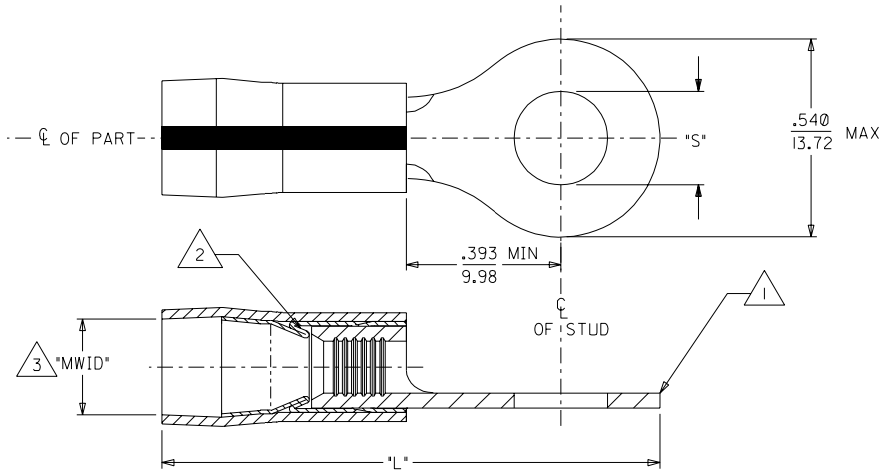
[Molex Connector Corporation](#)

[0190580073](#)

For any questions, you can email us directly:

[sales@integrated-circuit.com](mailto:sales@integrated-circuit.com)

MATERIAL NUMBER	ENGINEERING NUMBER	STUD SIZE	MAX "S"	"MWID"	MAX "L"	INSULATION MAT.	PACKAGING
190580064	B-830-14HD-03	1/4	.278	.233	1.25	YELLOW, PVC WITH 3 BLACK STRIPES	LOOSE PIECE
190580073	B-830-56HD-03	5/16	.340				
190580058	B-830-10HDRR	10	.214	.245	1.36	YELLOW, NYLON WITH 3 BLACK STRIPES	
190580066	B-830-14HDRR	1/4	.278				
190580075	B-830-56HDRR	5/16	.340				
190580065	B-830-14HD-03T	1/4	.278	.233	1.25	YELLOW, PVC WITH 3 BLACK STRIPES	TAPE MOUNTED
190580074	B-830-56HD-03T	5/16	.340				
190580059	B-830-10HDRRT	10	.214	.245	1.36	YELLOW, NYLON WITH 3 BLACK STRIPES	
190580067	B-830-14HDRRT	1/4	.278				
190580076	B-830-56HDRRT	5/16	.340				



SALES DRAWING

- NOTES:
1. TERMINAL MATERIAL: BRASS  
FINISH: ELECTRO-TIN
  2. FERRULE MATERIAL: BRASS  
FINISH: ELECTRO-TIN.
  3. "MWID" = MAXIMUM WIRE INSULATION DIAMETER.

WAS 01306-18C EC NO. ETC2002-0191 DRWNGRE 02/01/18 CHK: HEB 02/01/18 APPR: RWD 02/01/18	QUALITY SYMBOLS MAJOR = 0 CRITICAL = 0	GENERAL TOLERANCES: (UNLESS SPECIFIED)	SCALE: NO: NE DESIGN UNITS: <input type="checkbox"/> mm <input checked="" type="checkbox"/> INCH	DIMENSIONS: <input type="checkbox"/> INCH <input checked="" type="checkbox"/> INCH <input type="checkbox"/> mm ONLY	SHT: REV REVISE ON CAD ONLY
		4 PLACES ±0.1 ±. 3 PLACES ±0.1 ±.005 2 PLACES ±0.13 ±.01 1 PLACE ±0.25 ±. ANGULAR: ± 2°	DRAWN BY & DATE: BRE 01/12/20 CHECKED BY & DATE: HEB 01/12/20 APPROVED BY & DATE: RWD 01/12/20	TITLE: AVIKRIMP RAILROAD RING TONGUE TERMINALS 16-14 AWG	MOLEX INCORPORATED
DRAFT WHERE APPLICABLE MUST REMAIN WITHIN DIMENSIONS THIS DRAWING CONTAINS INFORMATION THAT IS PROPRIETARY TO MOLEX INCORPORATED AND SHOULD NOT BE USED WITHOUT WRITTEN PERMISSION.					