

Excellent Integrated System Limited

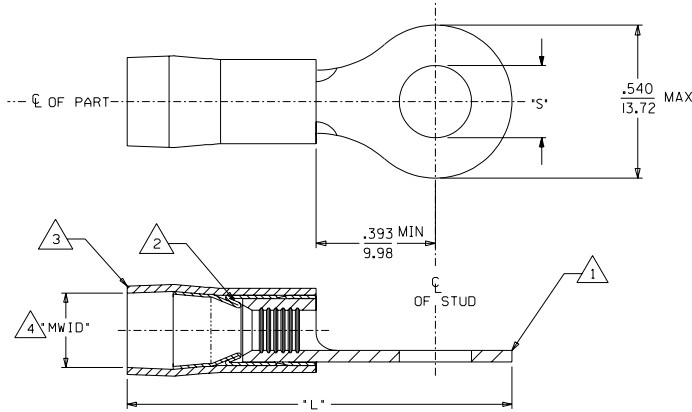
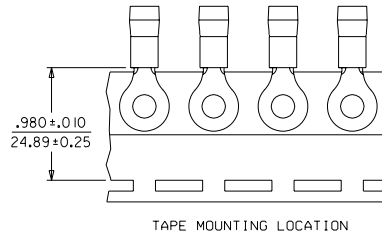
Stocking Distributor

Click to view price, real time Inventory, Delivery & Lifecycle Information:

[Molex Connector Corporation](#)
[0190730203](#)

For any questions, you can email us directly:
sales@integrated-circuit.com

MATERIAL NUMBER	ENGINEERING NUMBER	STUD SIZE	MAX "S"	"MWID"	MAX "L"	PACKAGING
190730182	C-830-10XLBK	10	.214	.233	1.36	LOOSE PIECE
190730192	C-830-14XLBK	*	.278			
190730203	C-830-56XLBK	*	.340			
190730272	C-830-10XXBX	10	.214	.320	1.34	LOOSE PIECE
190730273	C-830-14XXBK	*	.278			
190730274	C-830-56XXBK	*	.340			
190730185	C-830-10XX	10	.214	.320	1.34	LOOSE PIECE
190730195	C-830-14XX	*	.278			
190730206	C-830-56XX	*	.340			
190730183	C-830-10XLBKT	10	.214	.233	1.36	TAPE MOUNT
190730193	C-830-14XLBKT	*	.278			
190730204	C-830-56XLBKT	*	.340			
190730272	C-830-10XXBXT	10	.214	.320	1.34	TAPE MOUNT
190730273	C-830-14XXBXT	*	.278			
190730274	C-830-56XXBXT	*	.340			
190730185	C-830-10XXT	10	.214	.320	1.34	TAPE MOUNT
190730195	C-830-14XXT	*	.278			
190730206	C-830-56XXT	*	.340			



NOTES:

1. TERMINAL MATERIAL: BRASS
FINISH: ELECTRO-TIN
2. FERRULE MATERIAL: BRASS
FINISH: ELECTRO-TIN.
3. INSULATION MATERIAL: BLACK NYLON
4. "MWID" = MAXIMUM WIRE INSULATION DIAMETER.

SALES DRAWING

NEW RELEASE EC NO. ETC2002-0191 DRW: HEB 02/01/16 CHK: HEB 02/01/16 APPR: RWD 02/01/16	DESCRIPTION	QUALITY SYMBOLS	GENERAL TOLERANCES: (UNLESS SPECIFIED)	SCALE: NO: NONE	DESIGN UNITS: <input type="checkbox"/> mm <input checked="" type="checkbox"/> INCH	THIRD ANGLE PROJECTION	DIMENSIONS: <input type="checkbox"/> mm <input checked="" type="checkbox"/> INCH	SHT	REV
		MAJOR MINOR	4 PLACES ±0.1 3 PLACES ±0.2 2 PLACES ±0.3 1 PLACE ±0.5	mm INCH	DRAWN BY & DATE BRE 02/01/16	TITLE: AVIKRIMP RAILROAD RING TONGUE TERMINALS 12-10 AWG	mm ONLY	REVISE ON CAD ONLY	
REV	A	CRITICAL	ANGULAR: ±	CHECKED BY & DATE HEB 02/01/16	APPROVED BY & DATE RWD 02/01/16	MOLEX INCORPORATED			
DRAFT WHERE APPLICABLE MUST REMAIN WITHIN DIMENSIONS				CAD FILENAME SD-19058-006 _DGN		MATERIAL NO. SEE CHART		DRAWING NO. SD-19058-006	
				THIS DRAWING CONTAINS INFORMATION THAT IS PROPRIETARY TO MOLEX INCORPORATED AND SHOULD NOT BE USED WITHOUT WRITTEN PERMISSION.		SHEET NO. 1 OF 1		SIZE C	