

Excellent Integrated System Limited

Stocking Distributor

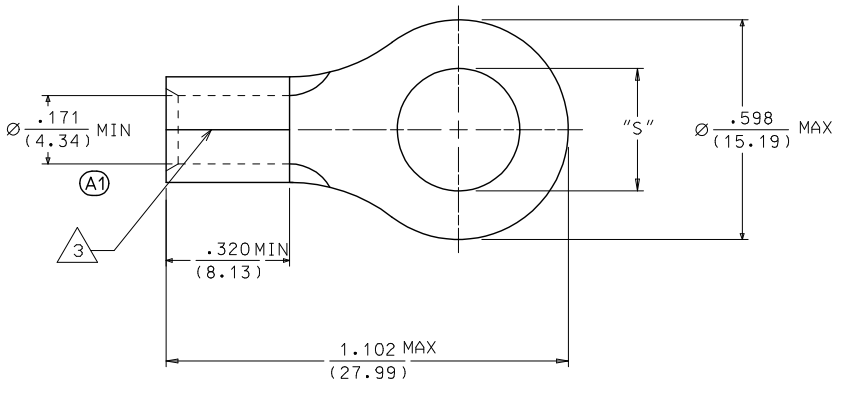
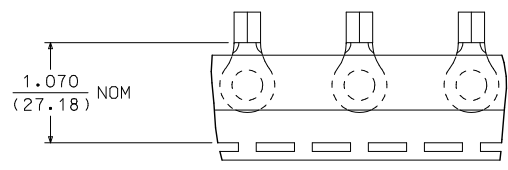
Click to view price, real time Inventory, Delivery & Lifecycle Information:

[Molex Connector Corporation](#)
[0191930901](#)

For any questions, you can email us directly:

sales@integrated-circuit.com

MATERIAL NUMBER	ENGINEERING NUMBER	STUD SIZE	PACKAGING
191930159	D-351-10	10	LOOSE PIECE
191930163	D-351-14	1/4	
191930171	D-351-56	5/16	
191930167	D-351-38	3/8	
191930175	D-351-76	7/16	
191930162	D-351-10T	10	TAPE MOUNTED
191930166	D-351-14T	1/4	
191930174	D-351-56T	5/16	
191930170	D-351-38T	3/8	
191930177	D-351-76T	7/16	



SALES DRAWING

- NOTES:
- MATERIAL: COPPER
PLATING: ELECTROPLATE TIN
 - ALL DIMENSIONS IN INCHES/(MM).
 - BRAZED SEAM.
 - PARTS ARE ROHS COMPLIANT. (A1)

REVISED DIM AND NOTE EC NO: IPG2014-2101 DRAWN BY: JAS01 2014/06/10 CHKD: JACNEL 2014/06/10 APPR: JACNEL 2014/06/26 REV A1	QUALITY SYMBOLS ▽=0 ▽=0	GENERAL TOLERANCES (UNLESS SPECIFIED) <table border="1"> <thead> <tr> <th></th> <th>mm</th> <th>INCH</th> </tr> </thead> <tbody> <tr> <td>4 PLACES</td> <td>± .005</td> <td>± .0004</td> </tr> <tr> <td>3 PLACES</td> <td>± .004</td> <td>± .0003</td> </tr> <tr> <td>2 PLACES</td> <td>± .003</td> <td>± .0002</td> </tr> <tr> <td>1 PLACE</td> <td>± .002</td> <td>± .0001</td> </tr> <tr> <td>0 PLACE</td> <td>± .001</td> <td>± .0000</td> </tr> </tbody> </table>		mm	INCH	4 PLACES	± .005	± .0004	3 PLACES	± .004	± .0003	2 PLACES	± .003	± .0002	1 PLACE	± .002	± .0001	0 PLACE	± .001	± .0000	DIMENSION STYLE IN/MM	SCALE ---	DESIGN UNITS INCH	THIRD ANGLE PROJECTION
		mm	INCH																					
	4 PLACES	± .005	± .0004																					
	3 PLACES	± .004	± .0003																					
2 PLACES	± .003	± .0002																						
1 PLACE	± .002	± .0001																						
0 PLACE	± .001	± .0000																						
DRAWN BY: BRE DATE: 01/06/11 CHECKED BY: RWD DATE: 01/06/11 APPROVED BY: DATE:		MATERIAL NO. SEE CHART DRAFT WHERE APPLICABLE MUST REMAIN WITHIN DIMENSIONS		TITLE RING TONGUE TERMINAL VERSAKRIMP 8 AWG molex DOCUMENT NO. SD-19193-017		SHEET NO. 1 OF 1																		
THIS DRAWING CONTAINS INFORMATION THAT IS PROPRIETARY TO MOLEX INCORPORATED AND SHOULD NOT BE USED WITHOUT WRITTEN PERMISSION																								