

Excellent Integrated System Limited

Stocking Distributor

Click to view price, real time Inventory, Delivery & Lifecycle Information:

[Molex Connector Corporation](#)
[0191810011](#)

For any questions, you can email us directly:

sales@integrated-circuit.com



FILE NO. **BB-CD-401-02**

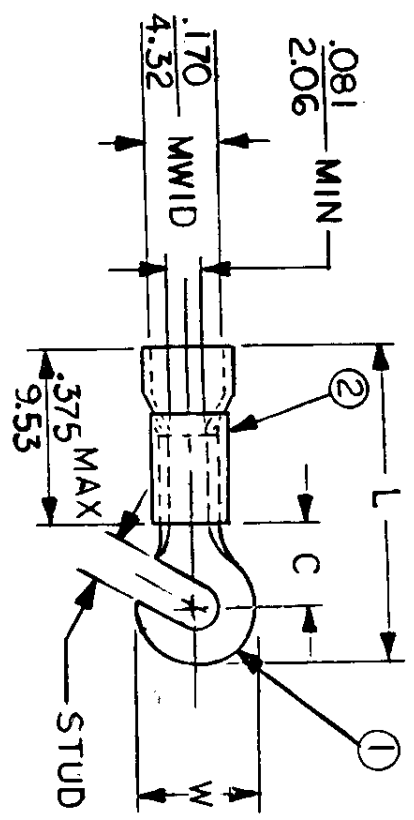
- NOTES:**
- ① MAT'L: COPPER (STOCK TKN. $\frac{031}{.75}$)
 - PLATING: ELECTRO TIN (0003 MIN)
 - ② TIN-PLATED BRASS FUNNEL FERRULE

STUD SIZES: ($\pm .005$)

- 02 = .094
- 04 = .119
- 06 = .146
- 08 = .173
- 10 = .198
- 14 = .265
- 56 = .328
- 38 = .390

"UL" LISTING #E32244
 "CSA" LISTING #18689

WIRE SIZE: 16-14 AWG
 1.0-2.5 MM²



ALL DIMENSIONS = $\frac{\text{INCHES}}{\text{MM}}$

(MWID) DENOTES MAXIMUM WIRE INSULATION DIAMETER

PART NUMBER	"W" ±.010	"C" MIN.	"L" MAX.	AVAILABLE STUD SIZES
BB-419-	.350 8.89	.271 6.88	.872 22.15	06, 08, 10

DIMENSIONAL TOLERANCES UNLESS OTHERWISE SPECIFIED	REFERENCE		SCALE: NTS	DATE	TITLE:
	DEC.	ANG.			
±	±	±		11-21-84	HOOK TONGUE TERMINAL VIBRAKRIMP 400-SERIES
				12-4-84	

DWG. NO. **A** CUSTOMER DWG